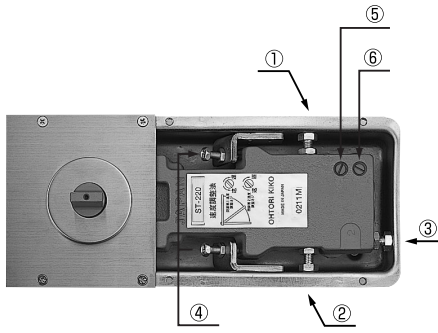
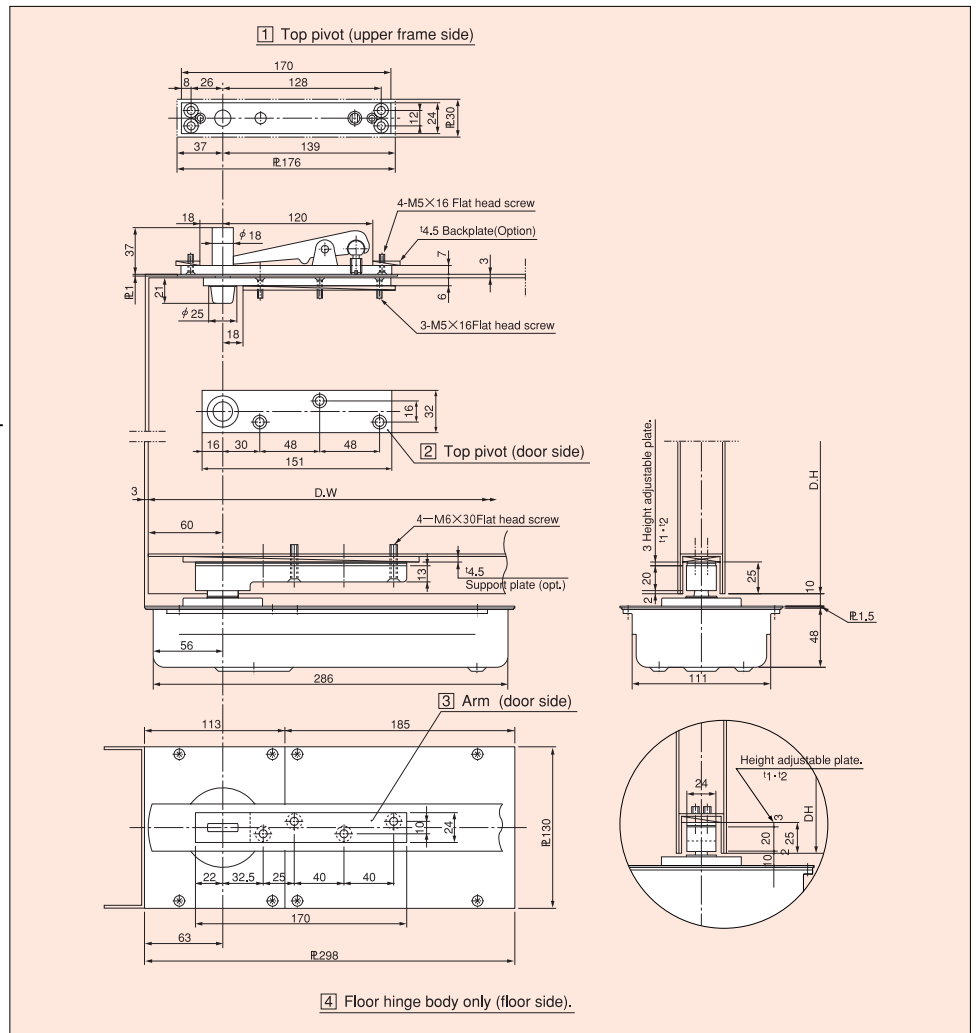


# ST-210N·T-210N ST-220N·T-220N

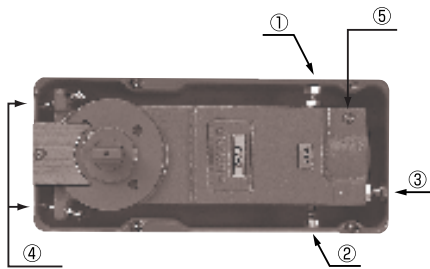


- ① Door closure position adjusting screw
- ② Door closure position adjusting screw
- ③ Door moving direction adjusting screw
- ④ Door moving direction adjusting screw
- ⑤ Door closing speed adjusting valve
- ⑥ Door closing speed adjusting valve

Model		Maximum Door	Weight
(90°) Hold Open	Non-Hold Open	Width×Height (mm)	(kg)
ST-210N	T-210N	800×1,800	55
ST-220N	T-220N	900×2,100	80



# D-22·22 D-23·23



- ① Door closure position adjusting screw
- ② Door closure position adjusting screw
- ③ Door moving direction adjusting screw
- ④ Door moving direction adjusting screw
- ⑤ Door closing speed adjusting valve

Model		Maximum Door	Weight
(90°) Hold Open	Non-Hold Open	Width×Height (mm)	(kg)
D-22	22	950×2,100	110
D-23	23	1,000×2,100	130

