

## ACCESSORIES

PARALLEL PLATE  
(200-PB)STEPPED PARALLEL  
(200PB-1)STEPPED PLATE  
(820SPB)L-SHAPED BRACKET  
(200-PB-NHN)

CONVERSION BRACKET (A)



CONVERSION BRACKET (B)



CONVERSION BRACKET (C)



HOLD OPEN ARM



SLIDE ARM



ARM EXTENDED LINK



FUSIBLE LINK



# NHN<sup>®</sup> 510 SERIES



***The NHN door closer offers a comprehensive range of hydraulic door closer to suit applications.***

***We maintain our long standing worldwide reputation for high quality and reliability***

***No.510 series door closer is inexpensive model to suit the most standard doors.***

***It is backed up with a 5 year "No Quibble" guarantee***

## FEATURES

- Available in variable power EN2-4 position.
- Easy installation and adjustment.
- Comprehensive range of accessories.



6TH FLOOR, MARUTAKE HONMACHI BLDG.  
 HONMACHI, 1-6-18, CHUO-KU, OSAKA 541-0053 JAPAN  
 TEL: +81-6-6265-1131  
 E-MAIL: [info@kenwa.co.jp](mailto:info@kenwa.co.jp)  
 WEB: [kenwa.co.jp](http://kenwa.co.jp)

DISTRIBUTED BY

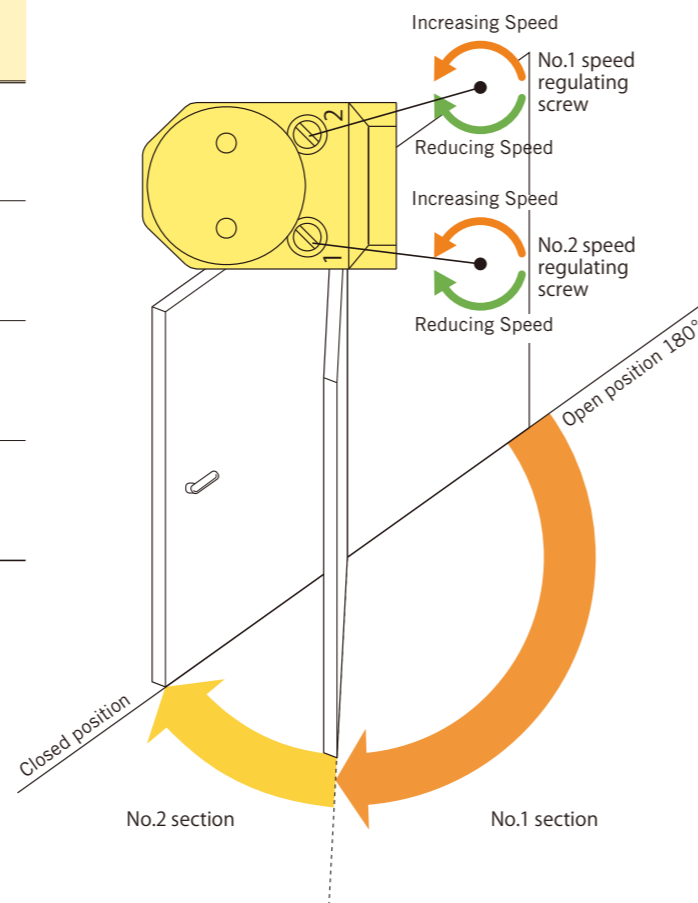


**SELECTION CHART**

Power size (EN)	Max. door width (mm)	Max. door weight (kg)	510 series		
			REGULAR	HOLD OPEN	SLIDE ARM
2	850	40	510	510S	510-GL
3	950	60			
4	1100	80			

**ADJUSTMENT**

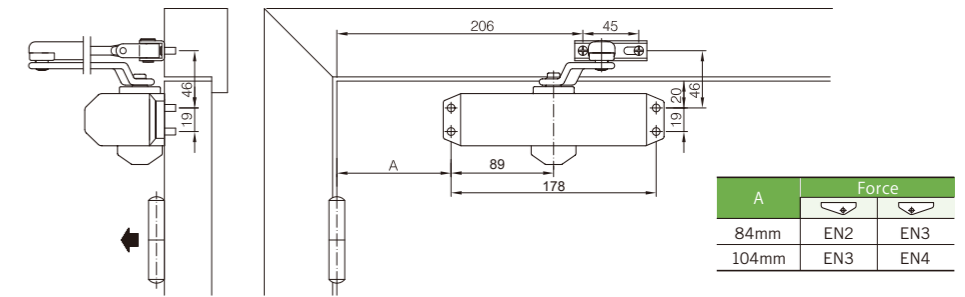
Power size (EN)	Door width (mm)	Door weight (kg)	A	Shoe
2	850	40	84	
3	950	60	84	
			104	
4	1100	80	104	



**FITTING DIAGRAM**

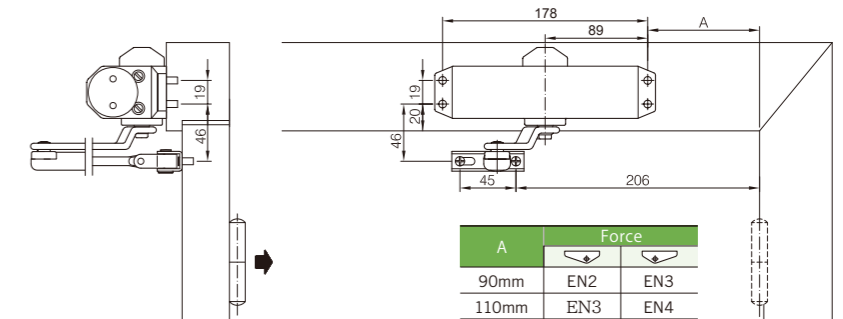
**Standard installation**

This installation shows left had configuration(DIN R).



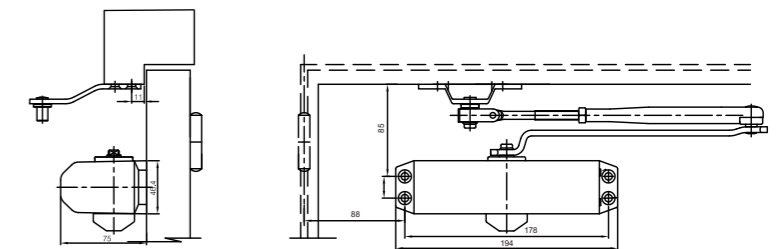
**Top jamb installation**

This installation shows left had configuration(DIN R).



**Paralled arm installation**

This installation shows left had configuration(DIN R).



**Silde arm installation**

This installation shows left had configuration(DIN R).

