



Notes: • Models indicated with (R, L) have lever handle handing.

• When using a handle marked with \*, there is the risk that the end of the handle shaft may contact the frame depending on the conditions of use.

# List of lever handles

(The roses of the handles in the photos are R4U roses (with some exceptions). Because a rose cannot be used with LY, LG, and LX lever handle locks and a backset of 32 mm, a K1U escutcheon is used instead.)

▼ Information

Precautions  
Table of contents /  
Product list  
Basic information

Cylinders  
Keying  
systems

▼ Locks

Push-pull  
locks

Lever  
handle  
locks

Mortise  
locks

Integral  
locks  
Cylindrical  
locks

Rim dead  
locks

Dead locks  
Cremon  
locks  
Glass door  
locks

Emergency  
locks  
Cup handle  
locks

Sliding  
door locks

▼ Electric locks  
Security systems

Ten-key  
pads

Key switches  
Interlock /  
emergency  
door  
systems

Hotel card  
locks

Electric  
locks

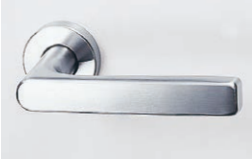
Electrical  
conductors,  
Control  
boxes

Dimensions

## ● Stainless steel (Escutcheon standard specification is an R4U rose.)

### NU type

Dull finish NU 11 S



Bright finish NU 12 S



### KU type

Dull finish KU 11 S



Bright finish KU 12 S



### TU type

Dull finish TU 11 S



### DU type

Dull finish DU 11 S



Bright finish DU 12 S



### COMU type (R, L) (Note)

Dull finish COMU 11 S (R)



Bright finish COMU 12 S (R)



### JUPU type

Bright finish JUPU 12 S



### ZU type\* (Note)

Dull finish ZU 11 S



### ORIU type\* (Note)

Dull finish ORIU 11 S



### LWINU type (R, L) (Note)

Dull finish LWINU 11 S (R)



### DBRU type (R, L) (Note)

Bright finish DBRU 12 S (R)



### KIAU type\* (Note)

Bright finish KIAU 12 S



## ● Aluminum (Escutcheon standard specification is an R4U rose.)

### AU type (R, L) (Note)

Alumite silver AU 40 A (R)



Alumite gold AU 23 A (R)



Umber coating AU 80 A (R)



Black coating AU 88 A (R)



### ATLU type (R, L) (Note)

Alumite silver ATLU 40 A (R)



Alumite gold ATLU 23 A (R)



Umber coating ATLU 80 A (R)



### NFA type

Alumite gold NFA 23 A



### BU type

Alumite silver BU 40 A



Alumite gold BU 23 A



Umber coating BU 80 A



Black coating BU 88 A



### LBU type

Silver coating LBU 369 A



Gold coating LBU 269 A



Umber coating LBU 80 A



### BRKU type (R, L) (Note)

Alumite gold BRKU 23 A (R)



### COMU type (R, L) (Note)

Alumite silver COMU 40 A (R)



Alumite gold COMU 23 A (R)

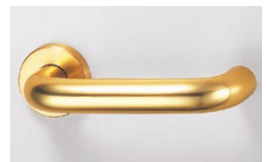


Umber coating COMU 80 A (R)



### DU type

Alumite gold DU 23 A





# List of lever handles

(The roses of the handles in the photos are R4U roses (with some exceptions). Because a rose cannot be used) with LY, LG, and LX lever handle locks and a backset of 32 mm, a K1U escutcheon is used instead.

Information

Precautions  
Table of contents /  
Product list  
Basic information

Cylinders  
Keying  
systems

Locks

Push-pull  
locks

Lever  
handle  
locks

Mortise  
locks

Integral  
locks  
Cylindrical  
locks

Rim dead  
locks

Dead locks  
Cremon  
locks  
Glass door  
locks

Emergency  
locks  
Cup handle  
locks

Sliding  
door locks

Electric locks  
Security systems

Ten-key  
pads

Key switches  
Interlock /  
emergency  
door  
systems

Hotel card  
locks

Electric  
locks

Electrical  
conductors,  
Control  
boxes

Dimensions

## ● Aluminum (Escutcheon standard specification is an R4U rose.)

### EU type (R, L)\* (Note)

Silver coating EU 369 A (R)



Gold coating EU 269 A (R)



Umber coating EU 80 A (R)



Black coating EU 88 A (R)



### GOK type\* (Note)

Alumite silver GOK 40 A



Alumite gold GOK 23 A



### HU type (R, L) (Note)

Alumite silver HU 40 A (R)



Alumite gold HU 23 A (R)



Umber coating HU 80 A (R)



### JU type

Alumite silver JU 42 A



Alumite gold JU 23 A



Black coating JU 88 A



### KSA type\* (Note) Can be used with a backset of 51 mm or more.

Light silver KSA 671A



Titanium silver KSA 673A



Wrought iron black KSA 8880A



### KSB type\* (Note) Can be used with a backset of 51 mm or more.

Light silver KSB 671A



Titanium silver KSB 673A



Wrought iron black KSB 8880A



### KSC type\* (Note) Can be used with a backset of 51 mm or more.

Light silver KSC 671A



Titanium silver KSC 673A



Wrought iron black KSC 8880A



### ORIU type\* (Note)

Alumite silver ORIU 42 A



Alumite gold ORIU 23 A



Umber coating ORIU 80 A



### OBYU type\* (Note)

Alumite silver OBYU 42 A



Alumite gold OBYU 23 A



### PASU type (R, L)\* (Note)

Alumite silver PASU 40 A (R)



Alumite gold PASU 23 A (R)



Light brown coating PASU 641 A (R)



### PU type (R, L) (Note)

Alumite silver PU 40 A (R)



Umber coating PU 80 A (R)



Notes: • Models indicated with (R, L) have lever handle handing.  
 • When using a handle marked with \*, there is the risk that the end of the handle shaft may contact the frame depending on the conditions of use.

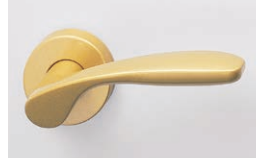
● Aluminum (Escutcheon standard specification is an R4U rose.)

**ROAU** type (R, L) (Note)

Silver coating ROAU 369 A (R)



Gold coating ROAU 269 A (R)



Bronze coating ROAU 263 A (R)



Umber coating ROAU 80 A (R)



**ROBU** type\* (Note)

Silver coating ROBU 369 A



Gold coating ROBU 269 A



Bronze coating ROBU 263 A



Umber coating ROBU 80 A



**TU** type

Alumite silver TU 40 A

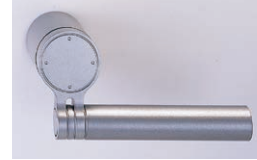


Alumite gold TU 23 A



**ST** type (R, L) (Note)

Silver ST 369A (R)



**WINU** type (R, L) (Note)

Alumite silver WINU 40 A (R)



Alumite gold WINU 23 A (R)



Umber coating WINU 80 A (R)



**ZU** type\* (Note)

Alumite silver ZU 40 A



Alumite gold ZU 23 A



Umber coating ZU 80 A



Black coating ZU 88 A



▼ Information

Precautions  
 Table of contents /  
 Product list  
 Basic information

Cylinders  
 Keying  
 systems

▼ Locks

Push-pull  
 locks

Lever  
 handle  
 locks

Mortise  
 locks

Integral  
 locks  
 Cylindrical  
 locks

Rim dead  
 locks

Dead locks  
 Cremon  
 locks  
 Glass door  
 locks

Emergency  
 locks  
 Cup handle  
 locks

Sliding  
 door locks

▼ Electric locks  
 Security systems

Ten-key  
 pads

Key switches  
 Interlock /  
 emergency  
 door  
 systems

Hotel card  
 locks

Electric  
 locks

Electrical  
 conductors,  
 Control  
 boxes

Dimensions



Notes: • Models indicated with (R, L) have lever handle handing.

• When using a handle marked with \*, there is the risk that the end of the handle shaft may contact the frame depending on the conditions of use.

# List of lever handles

(The escutcheons of the handles in the photos are R4U roses (with some exceptions). Because a rose cannot be used with LY, LG, and LX lever handle locks and a backset of 32 mm, a K1U escutcheon is used instead.)

Information

Precautions  
Table of contents /  
Product list  
Basic information

Cylinders  
Keying  
systems

Locks

Push-pull  
locks

Lever  
handle  
locks

Mortise  
locks

Integral  
locks  
Cylindrical  
locks

Rim dead  
locks

Dead locks  
Cremon  
locks  
Glass door  
locks

Emergency  
locks  
Cup handle  
locks

Sliding  
door locks

Electric locks  
Security systems

Ten-key  
pads

Key switches  
Interlock /  
emergency  
door  
systems

Hotel card  
locks

Electric  
locks

Electrical  
conductors,  
Control  
boxes

Dimensions

● Reinforced wood **▲Precautions:** Because wooden products contain wood parts, avoid using them outdoors. (Escutcheon standard specification is an R4U rose.)

**PRCU W8** type (Mizume cherry reinforced wood)\* (Note)  
Dull nickel finish PRCU 11B W8



(Bright chrome, dull brass,  
and bright brass finishes  
are also available.)

**RNT W13** type (birch reinforced wood)\* (Note)  
Dull nickel finish RNT 11B W13



(Bright chrome, dull brass,  
and bright brass finishes  
are also available.)

● Brass **▲Precautions:** Do not scratch the surface. Scratches on the surface can lead to discoloration. Wipe periodically with a soft, dry cloth.

**BRKU** type (R, L)\* (Note)  
Bright finish BRKU 22B (R)



(Dull finish 21B is also available.)

**ZU** type\* (Note)  
Bright finish ZU 22B



(Dull finish 21B is also available.)

**SWUU** type\* (Note)  
Dull nickel finish SWUU 11B



**PRS** type (R, L) (Note)  
Antique brass PRS 71B (R)



**ROL** type (R, L)\* (Note)  
Antique brass ROL 74B (R)



(BRKU, ZU, and SWUU are escutcheon contact types. Escutcheon standard specification is an R4U rose.)

(PRS and ROL are lock body contact types. The rose is a special R3 rose.)

● High class levers **▲Precautions:** Avoid using these products outdoors. Also, be careful not to scratch brass handles and roses.

**HIBU** type  
Finish: Bright brass, oak



**HIBU** type  
Finish: Bright brass, Japanese cherry



**HIBU** type  
Finish: Bright brass, marble (white), others



**DLCU** type  
Finish: Bright brass, marble (gray)



**GLYU** type  
Finish: Dull nickel, marble (black)



Note: Because the high class lever handle series will be discontinued, sales are limited to those currently in inventory.

● Anti-bacterial lever

**DU11-9S** type (stainless steel anti-bacterial lever)  
Finish: Dull finish, clear anti-bacterial coating



● Corresponding table (lever handle and door)

Note: ( ➡ The part mounting screw must be on the inside.)

Lever handle handing	Illustration	
R type	<Right-hinged, out-swinging> (Note) Inside Outside	Or <Left-hinged, in-swinging> (Note) Inside Outside
	<Left-hinged, out-swinging> Inside (Note) Outside	Or <Right-hinged, in-swinging> Inside (Note) Outside

Note: For security reasons, the lever handle mounting screw must be on the inside.





# Lever handle lock escutcheons

## ■ Escutcheons for LGK, LGF, LG, LGT, and LX series lever handle locks (\* Various finishes are available.)

### • R4U rose (standard specification)

(\* The R4U rose cannot be used with LG or LX backset 32 mm.)  
The K1U escutcheon is used instead.



Dull stainless steel  
(R4U 11S)

### • K1U escutcheon



Dull stainless steel  
(K1U 11S)

### • N1U escutcheon (\* Cannot be used with LG or LX backset 32 mm. Can be used with backset 38 mm or more.)



Dull stainless steel  
(N1U 11S)



Bright stainless steel  
(N1U 12S)



Stainless steel,  
umber coating  
(N1U 80)

### • N5U escutcheon (coordinating plate) (\* Can be used with LG or LX series and backset 51 mm, 64 mm.)



Dull stainless steel (t2.0)  
(N5U 11S)



Bright stainless steel (t2.0)  
(N5U 12S)



Aluminum (t3.0), alumite gold  
(N5U 23A)

▼ Information

Precautions  
Table of contents /  
Product list  
Basic information

Cylinders  
Keying  
systems

▼ Locks

Push-pull  
locks

Lever  
handle  
locks

Mortise  
locks

Integral  
locks  
Cylindrical  
locks

Rim dead  
locks

Dead locks  
Cremon  
locks  
Glass door  
locks

Emergency  
locks  
Cup handle  
locks

Sliding  
door locks

▼ Electric locks  
Security systems

Ten-key  
pads

Key switches  
Interlock /  
emergency  
door  
systems

Hotel card  
locks

Electric  
locks

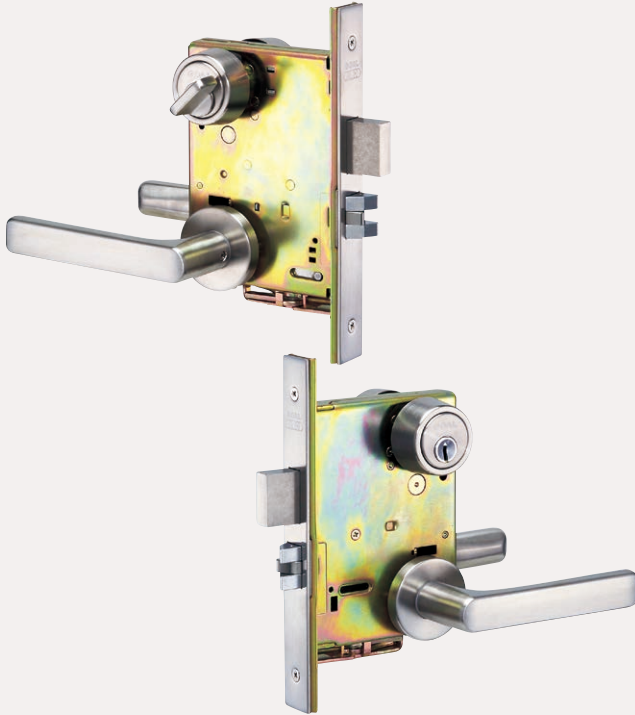
Electrical  
conductors,  
Control  
boxes

Dimensions

**Applications** Offices, storerooms, machine rooms, main entrances, etc.

• **V-AHL-5NU11S (R4U)**

(Photo shows example of V18 cylinder, NU lever handle, dull stainless steel finish, R4U rose.)



• **V-AHLP-5NU11S (R)**

(Photo shows example of V18 cylinder, NU lever handle, dull stainless steel finish, R type for right-hinged out-swinging door.)



**Precautions:**

1. Be aware that the rose for AHLP anti-panic locks is a special rose, and the door notch dimensions are different from AHL.
2. Do not use with the deadbolt facing down. Doing so may result in operating failure.

• **Example of S1U escutcheon use**

(Note: These escutcheons cannot be used with AHLP.)



## High class lever handle locks that deliver superior security, durability, and operability

**Features**

- Superior security and exceptional durability
- Superior operability and smooth operation
- The latch includes an anti-friction latch bolt.
- A common strike plate is available as an option.

**Specifications (Door thickness: ## mm or more-less than ## mm)**

• **AHL-1, 3, 5, 6, 68, 7, 8** (For the **AHL-9** specifications, refer to P.31.)

Backset	76 mm, 100 mm
Door thicknesses (Contact GOAL for more information.)	<R4U rose> (AHL-1, 3, 5, 6, 68, 7, 8) 35~42.5 / 42.5~50 mm <S1U escutcheon> (AHL-5, 6, 68, 8) 33~38 / 38~43 / 43~48 / 48~53 mm
Gap (door and jamb)	6 mm or less for AHL-68, 8, 9 with trigger bolt
Lever handle	Various types are available. (Refer to P.25~28 for details.)
Escutcheon	R4U rose, R7U rose, S1U escutcheon
Cylinder [symbol] (Note)	GP [GP], V18 [V], GV [GV], 6 pins [P], 7 pins [Z]
Thumbturn	Standard type, P type (R, L) (option)
Key systems	Various key systems available (MK, GMK, GGMK, CNK, etc.) (V18, GV: Optional key change system available) (GV: Universal Key System not supported)
Hand	For AHL-68, 8, 9 which use an S1U escutcheon, there are R types and L types for lock handing.

Note: Production of new master key plans for 6-pin and 7-pin cylinders discontinued as of March 2017.

• **AHLP-5, 7**

Backset	76 mm, 100 mm
Door thicknesses	33~38 / 38~43 / 43~48 / 48~50 / 50~53 mm
Escutcheon	Special AHLP rose (ELTP rose)
Hand	R type (for right-hinged out-swinging or left-hinged in-swinging door), L type (for left-hinged out-swinging or right-hinged in-swinging door)

\* Other specifications are the same as AHL.

**List of AHL series lever handle lock and AHLP series anti-panic lock models**

Compatible cylinders and cylinder symbols	Model (Note 1)	Illustration (Note 2)	Compatible cylinders and cylinder symbols	Model (Note 1)	Illustration (Note 2)
—	<b>AHL-1**</b>		<b>GP</b> (GP) <b>V</b> (V18) <b>GV</b> (GV) <b>P</b> (6-pin) <b>Z</b> (7-pin)	(Automatic locking locks) <b>AHL-68**</b> (Note 4)	
—	<b>AHL-3**</b>		<b>GP</b> (GP) <b>V</b> (V18) <b>GV</b> (GV) <b>P</b> (6-pin) <b>Z</b> (7-pin)	<b>AHL-7**</b>	
<b>GP</b> (GP) <b>V</b> (V18) <b>GV</b> (GV) <b>P</b> (6-pin) <b>Z</b> (7-pin)	<b>AHL-5**</b>		<b>GP</b> (GP) <b>V</b> (V18) <b>GV</b> (GV) <b>P</b> (6-pin) <b>Z</b> (7-pin)	<b>AHLP-7**</b> (Anti-panic locks) (Notes 3, 4)	
<b>GP</b> (GP) <b>V</b> (V18) <b>GV</b> (GV) <b>P</b> (6-pin) <b>Z</b> (7-pin)	<b>AHLP-5**</b> (Anti-panic locks) (Notes 3, 4)		<b>GP</b> (GP) <b>V</b> (V18) <b>GV</b> (GV) <b>P</b> (6-pin) <b>Z</b> (7-pin)	(Automatic locking locks) (with anti-panic function) <b>AHL-8**</b> (Note 4)	
<b>GP</b> (GP) <b>V</b> (V18) <b>GV</b> (GV) <b>P</b> (6-pin) <b>Z</b> (7-pin)	<b>AHL-6**</b>		<b>GP</b> (GP) <b>V</b> (V18) <b>GV</b> (GV) <b>P</b> (6-pin) <b>Z</b> (7-pin)	(Hotel locks) (with anti-panic function) <b>AHL-9**</b> (Note 4) (Refer to P.31.)	

Notes 1: \*\* indicates the lever handle design symbol and finish symbol.

2: The key in the illustrations is a simple key for a V18 cylinder.

3: Be aware that the rose for AHL-5, 7 anti-panic types has a different shape, and the door notch dimensions are also different.

4: The AHLP-5, 7 and AHL-68, 8, 9 have lock handing (L type or R type). Specify L type or R type (specify-type) when ordering. Please refer to P.35 how to determine lock handing.

**Applications** Hotel guest rooms, etc.

- **V-AHL-9NU11 (S1U) (R)**  
(Photo shows a V18 cylinder, NU lever handle, dull stainless steel finish, S1U escutcheon, R type for left-hinged in-swinging door.)



### AHL-9 hotel lock handle variations

- **V-AHL-9 HIBU 22B W1 (\*)**  
<Bright brass, wood (oak)>
- **V-AHL-9 HIBU 22B S1 (\*)**  
<Bright brass, marble (white)>



- **V-AHL-9 COMU 23A**  
<Alumite gold>



(Escutcheon finish is dull brass.)

- **V-AHL-9 DU 12S (\*)**  
<Bright stainless steel>



(\* indicates special specifications.)

## High class lever handle hotel locks that deliver superior security, durability, and operability

### Features

- The outside lever is fixed and the door locks automatically when it is closed.  
The outside lever handle is fixed at all times and the door locks automatically when it is closed. It cannot be opened without the key.
- A special key system for hotels is available.
- Equipped with a shutout function that protects customer safety and privacy.
- Equipped with an anti-panic function.

\* AH-9 knob-type hotel locks are also available. (See P.37 for details.)

### AHL-9, AH-9 hotel lock key systems

Because hotel locks are required to protect customer privacy and provide security, a special key system for hotels is available.



#### Guest key

This is a key used by the guests. The door locks automatically when it is closed, and the guests must take the key with them when leaving the room or they will be unable to open the door. When the lock is shut out from inside the room, the door cannot be opened with the key.



#### Shutout key (display key)

This is a key that can shut out the lock so that the master key cannot be used while the guest is out of the room. Even when the lock is shut out, this key can unlock the lock and is also known as the "display key."



#### Master key (maid key)

This is a key used by the hotel bell staff and maids, and is the master key for the guest keys. Therefore all of the rooms within a certain range can be opened with this one key. However in the same way as the guest key, this key cannot be used when the lock is shut out.



#### Emergency key

This key is used in emergencies. All shut out rooms can be opened with this one key. This key is stored carefully by the hotel. Hotel management must be present at the site when this key is used.

### Specifications (Door thickness: ## mm or more-less than ## mm)

Backset	76 mm, 100 mm
Door thicknesses (Contact GOAL for more information.)	33~38 / 38~43 / 43~48 / 48~53 mm
Gap (door and jamb)	6 mm or less
Cylinder [symbol] (Note)	GP [GP], V18 [V], GV [GV], 6 pins [P], 7 pins [Z]
Thumbturn	Standard type only
Key systems	Hotel key systems Various key systems available (MK, GMK, GGMK, CNK, etc.) (For V18 key change systems, please consult with us.) (GV key change systems and Universal Key Systems are not supported.)
Lever handle	Various types are available. (Refer to P.25~28 for details.)
Escutcheon material and finish (symbol)	S1U type (Dull stainless steel (11S), bright stainless steel (12S)) (Brass and dull nickel (21B), bright chrome (22B))
Hand	R type (for left-hinged in-swinging or right-hinged out-swinging door), L type (for right-hinged in-swinging or left-hinged out-swinging door)

Note: Production of new master key plans for 6-pin and 7-pin cylinders discontinued as of March 2017.

Information

Precautions  
Table of contents /  
Product list  
Basic information

Cylinders  
Keying  
systems

Locks

Push-pull  
locks

Lever  
handle  
locks

Mortise  
locks

Integral  
locks  
Cylindrical  
locks

Rim dead  
locks

Dead locks  
Cremon  
locks  
Glass door  
locks

Emergency  
locks  
Cup handle  
locks

Sliding  
door locks

Electric locks  
Security systems

Ten-key  
pads

Key switches  
Interlock /  
emergency  
door  
systems

Hotel card  
locks

Electric  
locks

Electrical  
conductors,  
Control  
boxes

Dimensions

**Applications** Offices, main entrances, home entrances, etc.

● **V-LG-5NU11S(R4U)**

(Photo shows a V18 cylinder, NU lever handle, dull stainless steel finish, R4U rose.)



● **V-LGK-5NU** (hooked deadbolt)  
 (backset: 64 mm only)



● **LG-45**

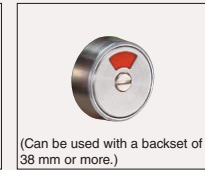
Emergency cylinder with indicator



(LG-4 without an indicator is also available.)

● **LG-45VF**

Emergency cylinder with large indicator



(Can be used with a backset of 38 mm or more.)

● **V-LG-5(ND)**

ND cylinder with indicator



(Can be used with a backset of 51 mm or more.)

**High class lever handle locks that deliver superior security, durability, and operability**

**Features**

- V-LGUL, which has been registered under the U.S. UL security standard (UL437), is also available.
- Various thumbturns are available as options.



\* TMK and other security thumbturns are also available. (Refer to P.5 for details.)

- Includes a case steady brace. (Inside the lock case)

**Specifications (Door thickness: ## mm or more-less than ## mm)**

Model	LG	LGK
Backset (Notes 1, 2)	32, 38, 51, 64, 76 mm	64 mm
Door thicknesses (Contact GOAL for more information.)	29~33 / 33~43 / 43~53 mm	
Cylinder [symbol] (Note 3)	GP [GP], V18 [V], GV [GV], 6 pins [P], 7 pins [Z]	
Thumbturn	Standard type, BF type, TM type, TME type, TMB type, others (Refer to P.5.)	
Key systems	Various key systems available (MK, GMK, GGMK, CNK, etc.) (V18, GV: Optional key change system available) (GV: Optional Universal Key System (UKS2) available)	
Lever handle	Various types are available. (Refer to P.25~28 for details.)	
Escutcheon (Note 1)	5/8 32 mm ....K1U escutcheon 5/8 38, 51, 64, 76 mm ....Optional R4U rose (standard specifications) and escutcheon are also available. (Refer to P.29.)	

Note 1: With LG and backset 32 mm, an R4U rose cannot be used. A K1U escutcheon (refer to P.29) is used instead. The deadbolt throw is also 16 mm.

2: With LG-4, 45 and backset 38, 51, or 64 mm, the deadbolt throw is 16 mm. With backset 76 mm, the throw is 21 mm.

3: Production of new master key plans for 6-pin and 7-pin cylinders discontinued as of March 2017.

**List of LG, LGK, LGF, LGT, LX series lever handle lock models**

\* Various cylinders are available (GP, V18, GV, etc.).  
 When ordering, add the cylinder symbol (GP, V, GV, etc.) to the model, for example V-LG-5NU11S.

Compatible cylinders and cylinder symbols	Model	Illustration	Compatible cylinders and cylinder symbols	Model	Illustration
—	LG LGF -1** LX		GP (GP) V (V18) GV (GV) P (6-pin) Z (7-pin)	LG LGK LGF -5** LGT LX	
—	LG LGK LGF -3** LGT LX		GP (GP) V (V18) GV (GV) P (6-pin) Z (7-pin)	LG LGK LGF -6** LGT LX	
—	LGF LG -33** LX		GP (GP) V (V18) GV (GV) P (6-pin) Z (7-pin)	LG LGK LGF -7** LGT LX	
Emergency cylinder	LG LGF-4,45,45VF LX (Note 2)				



# LGF Lever handle locks

## LGF series (anti-friction latch bolt)

**Applications** Offices, main entrances, home entrances, etc.

- **V-LGF-5NU11S** (Photo shows a V18 cylinder, NU lever handle, dull stainless steel finish.) (\* An AXF knob type is also available.)



**Lever handle locks with anti-friction latch bolts that deliver superior security, durability, and operability**

### Features

- Superior security, and excellent durability and operability
- The latch with an anti-friction latch bolt securely closes the door even when just a small force is applied to the closer.
- The steady brace inside the lock case allows the lock to be installed in an off-set position on the door.
- Various thumbturns are available. (Same as the LG thumbturns. Refer to P.5 for details.)
- Because the dimensions are the same as the LG lever handle locks, these can also be used as replacements for LG locks.

### Specifications (Door thickness: ## mm or more~less than ## mm)

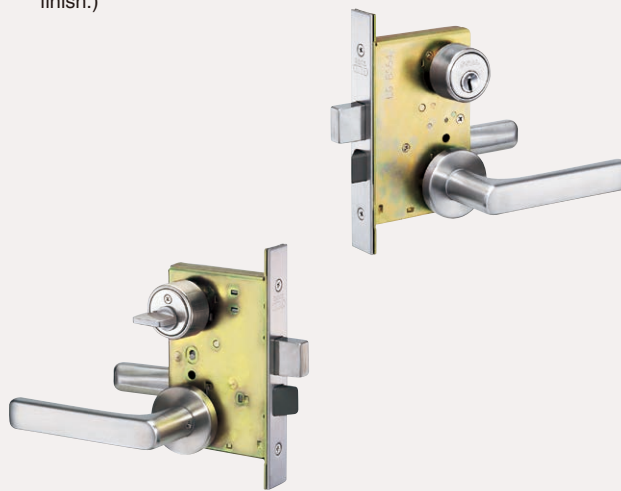
Model	<b>LGF-1, 3, 33, 4, 45, 45VF, 5, 6, 7</b> (Refer to P.32.)
Backset	64 mm, 76 mm
Door thicknesses (Contact GOAL for more information.)	29~33 / 33~43 / 43~53 mm
Cylinder [symbol] (Note)	GP [GP], V18 [V], GV [GV], 6 pins [P], 7 pins [Z]
Thumbturn	Standard type, BF type, TM type, TME type, TMB type (Refer to P.5.)
Key systems	Various key systems available (MK, GMK, GGMK, CNK, etc.) (V18, GV: Optional key change system available) (GV: Optional Universal Key System (UKS2) available)
Lever handle	Various types are available. (Refer to P.25~28.)
Escutcheon	R4U rose (standard) (Various escutcheon are also available as options. Refer to P.29 for details.)
Hand	Same for right and left, inside and outside

Note: Production of new master key plans for 6-pin and 7-pin cylinders discontinued as of March 2017.

# LGT Lever handle-type earthquake-safe locks LGT series

**Applications** Earthquake safe doors at offices, main entrances, home entrances, etc.

- **V-LGT-5NU11S** (Photo shows a V18 cylinder, NU lever handle, dull stainless steel finish.)



**An earthquake-safe mechanism has been added to the LG lever handle locks.**

### Features

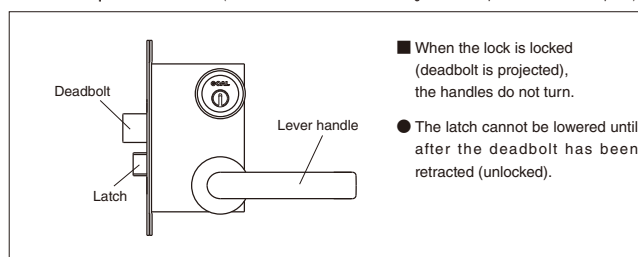
- When the lock is locked, the inside and outside handles are fixed and will not turn until the deadbolt is retracted. This prevents accidents in which an earthquake or other event traps the user in the room.
- Various thumbturns are available. (Same as the LG thumbturns. Refer to P.5 for details.)
- It is possible to easily check that the door is locked or unlocked by attempting to turn the handle.
- The excellent security performance is the same as the LG. (Refer to P.32 for details.)

### Specifications (Door thickness: ## mm or more~less than ## mm)

Model	<b>LGT-3, 5, 6, 7</b> (Refer to P.32.)
Backset	51 mm, 64 mm
Door thicknesses (Contact GOAL for more information.)	29~33 / 33~43 / 43~53 mm
Cylinder [symbol] (Note)	GP [GP], V18 [V], GV [GV], 6 pins [P], 7 pins [Z]
Thumbturn	Standard type, BF type, TM type, TME type, TMB type, TMK type (Refer to P.5 for details.)
Key systems	Various key systems available (MK, GMK, GGMK, CNK, etc.) (V18, GV: Optional key change system available) (GV: Optional Universal Key System (UKS2) available)
Lever handle	Various types are available. (Refer to P.25~28 for details.)
Escutcheon	R4U rose (standard) (Various escutcheon are also available as options. Refer to P.29 for details.)

Note: Production of new master key plans for 6-pin and 7-pin cylinders discontinued as of March 2017.

- **LGT earthquake-safe function** (Prevents the deadbolt from becoming stuck under pressure on the strike plate.)



Information

Precautions  
Table of contents /  
Product list  
Basic information

Cylinders  
Keying  
systems

Locks

Push-pull  
locks

Lever  
handle  
locks

Mortise  
locks

Integral  
locks  
Cylindrical  
locks

Rim dead  
locks

Dead locks  
Cremon  
locks  
Glass door  
locks

Emergency  
locks  
Cup handle  
locks

Sliding  
door locks

Electric locks  
Security systems

Ten-key  
pads

Key switches  
Interlock /  
emergency  
door  
systems

Hotel card  
locks

Electric  
locks

Electrical  
conductors,  
Control  
boxes

Dimensions

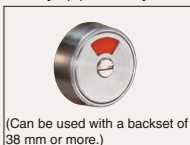
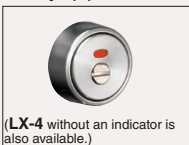
# LX Lever handle locks LX series

**Applications** Offices, main entrances, home entrances, etc.

- **V-LX-5NU11S**  
(Photo shows a V18 cylinder, NU lever handle, dull stainless steel finish.)



- **V-LX-5(ND)**  
ND cylinder with indicator
- **LX-45**  
Emergency cylinder with indicator
- **LX-45VF**  
Emergency cylinder with large indicator



## Compact lever handle locks that deliver superior security, durability, and operability

### Features

- Superior security, and excellent durability and operability
- The thumbturn is an option. The available types include the BF type with superior operability, as well as the TM, TME, and TMB types that are highly resistant for thumbturns to being turned via a hole from outside the door. (Refer to P.5 for details.)
- The steady brace inside the lock case allows the lock to be installed in an off-set position on the door.

### Specifications (Door thickness: ## mm or more~less than ## mm)

Model	(Note 1) <b>LX-1, 3, 33, 4, 45, 45VF, 5, 6, 7</b> (Refer to P.32.)
Backset	(Note 2) 32 mm, 38 mm, 51 mm, 64 mm
Door thicknesses (Contact GOAL for more information.)	29~3~3 / 33~43 / 43~53 mm
Cylinder [symbol] (Note 3)	GP [GP], V18 [V], GV [GV], 6 pins [P], 7 pins [Z]
Thumbturn	Standard type, BF type, TM type, TME type, TMB type, others (Refer to P.5.)
Key systems	Various key systems available (MK, GMK, GGMK, CNK, etc.) (V18, GV: Optional key change system available) (GV: Optional Universal Key System (UKS2) available)
Lever handle	Various types are available. (Refer to P.25~28 for details.)
Escutcheon (Note 2)	R4U rose (standard) (Various escutcheon are also available as options. Refer to P.29 for details.)

Note 1: With LX-4, 45, and 45VF, the deadbolt throw is 16 mm. With other models, it is 21 mm.  
 2: The R4U rose cannot be used with backset 32 mm. The K1U escutcheon is used instead. The deadbolt throw is also 16 mm.  
 3: Production of new master key plans for 6-pin and 7-pin cylinders discontinued as of March 2017.

### Corresponding table (LH and door)

Lock handing	Illustration
R type	<Right-hinged, out-swinging> (Note) Lever mounting screw Inside Outside
	Or <Left-hinged, in-swinging> (Note) Lever mounting screw Inside Outside
L type	<Left-hinged, out-swinging> (Note) Lever mounting screw Inside Outside
	Or <Right-hinged, in-swinging> (Note) Lever mounting screw Inside Outside

# LH Lever handle-type automatic locking locks LH series

**Applications** Common entrances, service entrances, etc.

- **LHL, LHB, LHS, LHT-7NU11S (R)**  
(Photo shows a LHB V18 cylinder, NU lever handle, R type for right-hinged out-swinging door.)
- Front with guard plate (LH No. 5 front) is also available.



## Locks automatically when the door is closed. Can be unlocked from outside the room with the key, and from inside the room simply by turning the handle.

### Features

- Four types (L, B, S, T) are available, each with different functions.
- The outside lever handle is always fixed.
- The door locks automatically when it is closed. (The latch fastens.)
- The key can be used to retract the latch and unlock the door from the outside.
- From inside the room, the door can be unlocked at any time by turning the handle.
- An LHL-S muffled type with little operating sound is also available.

### ⚠ Precautions:

Be aware that with LHL and LHL-S, in cases when the strike plate is not installed, the strike plate is incorrectly installed, or the correct strike plate is not used, then if the door is accidentally closed and the trigger bolt enters the frame hole or strike plate hole, it will not be possible to open the door.

### Explanation of LHT, LHL, LHB, LHS functions and operation

Model	Unlock hold function	Operation
LHL	Yes	● Once unlocked with the key, this lock is held in the unlocked state.
LHL-S (muffled type)	(Hold cancel when door is opened)	● When the door is opened, the unlock hold state is canceled and the lock returns to its original state.
LHB	Yes (Hold cancel by key)	● Once unlocked with the key, this lock is held in the unlocked state. ● The unlocked state is held until the key is turned and the latch is projected.
LHS	Yes (Hold and hold cancel by coin plug)	● With the latch pressed in, turn the coin plug on the front to hold the lock in the unlocked state. ● The lock is held in the unlocked state until the coin plug is returned to its original position.
LHT	No	● Open the door while the key is turned to the unlock position (latch is retracted).

### Specifications (Door thickness: ## mm or more~less than ## mm)

Model	<b>LHL-7, LHB-7, LHS-7, LHT-7, LHL-S-7</b>
Backset	51 mm, 64 mm
Door thicknesses (Contact GOAL for more information.)	33~43 / 43~53 mm
Gap (door and jamb)	6 mm or less
Cylinder [symbol] (Note)	GP [GP], V18 [V], GV [GV], 6 pins [P], 7 pins [Z]
Key systems	Various key systems available (MK, GMK, GGMK, CNK, etc.) (V18, GV: Optional key change system available) (GV: Optional Universal Key System (UKS2) available)
Lever handle	Various types are available. (Refer to P.25~28 for details.)
Hand	R type (for right-hinged out-swinging or left-hinged in-swinging door), L type (for left-hinged out-swinging or right-hinged in-swinging door)

Note: Production of new master key plans for 6-pin and 7-pin cylinders discontinued as of March 2017.

**Applications** For offices, service entrances, common entrances, etc.

- **V-HL, HLT-5NU11S**  
(Photo shows a V18 cylinder, NU lever handle, dull finish.)  
\* The appearance of the HL and HLT is the same.



- **V-HLP, HLTP-7NU11S**  
(Photo shows a V18 cylinder, NU lever handle, dull finish.)  
\* The appearance of the HLP and HLTP is the same.



**Precautions:** 1. Be aware that with HLT and HLTP, the lock will remain unlocked unless the handle is turned and the latch is retracted.  
2. HLP and HLTP have lock handing (R, L types). Be aware that the rose shape and the size of the door notch that is required for handle installation are different for HL and HLT.

**Features of the HL and HLP**

- Can be locked and unlocked using the key or thumbturn. (Normal lock/unlock function)
- The door locks when the door is closed after the thumbturn (or key) was turned in the lock direction. (Automatic locking function)
- HL is locked, the inside and outside handles are fixed.
- HLP inside handle can be operated at any time. The lock is equipped with an anti-panic function which allows the door to be unlocked and opened by turning the handle even when the lock is locked. (The lock from the door outside remains locked.)

**Features of the HLT and HLTP**

- Locks automatically when the door is closed.
  - It can be unlocked using the key or thumbturn.  
After unlocking using the key or thumbturn, when the handle is turned and the latch is withdrawn, the lock becomes ready for automatic locking again.
  - HLT is locked, the inside and outside handles are fixed.
- \* The HLTP includes an anti-panic function and when it is locked, it can be unlocked and opened by turning the inside handle.

**Specifications (Door thickness: ## mm or more-less than ## mm)**

Model	<b>HL, HLT-3,5,6,7</b>	<b>HLP-3, 5, 6, 7, HLTP-7 (anti-panic locks)</b>
Backset	76 mm	
Door thicknesses (Contact GOAL for more information.)	29~33 / 33~43 / 43~53 mm	29~33 / 33~38 / 38~43 / 43~48 / 48~53 mm
Gap (door and jamb)	6 mm or less	
Cylinder [symbol] (Note)	GP [GP], V18 [V], GV [GV], 6 pins [P], 7 pins [Z]	
Thumbturn	Standard type only	
Key systems	Various key systems available (MK, GMK, GGMK, CNK, etc.) (V18, GV: Optional key change system available) (GV: Optional Universal Key System (UKS2) available)	
Lever handle	Various types are available. (Refer to P.25~28 for details.)	
Escutcheon	R4U rose (standard)	Special HLP, HLTP rose
Hand	Same for right and left, inside and outside	R type (for right-hinged out-swinging door or left-hinged in-swinging door) L type (for left-hinged out-swinging door or right-hinged in-swinging door)
Gap (door and jamb)	6 mm or less	

Note: Production of new master key plans for 6-pin and 7-pin cylinders discontinued as of March 2017.

**Corresponding table(HLP, HLTP-7 and door)**

Lock handing	Illustration	
R type	<Right-hinged, out-swinging> 	<Left-hinged, in-swinging> 
	<Left-hinged, out-swinging> 	<Right-hinged, in-swinging> 

▼ Information

Precautions  
Table of contents /  
Product list  
Basic information

Cylinders  
Keying  
systems

▼ Locks

Push-pull  
locks

Lever  
handle  
locks

Mortise  
locks

Integral  
locks  
Cylindrical  
locks

Rim dead  
locks

Dead locks  
Cremon  
locks  
Glass door  
locks

Emergency  
locks  
Cup handle  
locks

Sliding  
door locks

▼ Electric locks  
Security systems

Ten-key  
pads

Key switches  
Interlock /  
emergency  
door  
systems

Hotel card  
locks

Electric  
locks

Electrical  
conductors,  
Control  
boxes

Dimensions

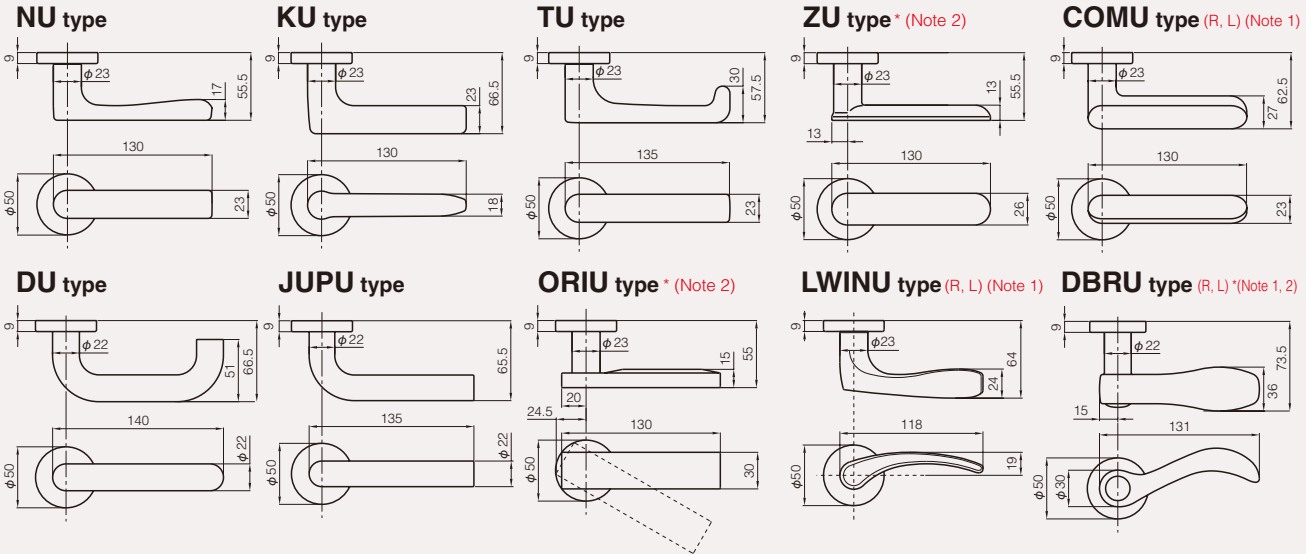


# List of lever handles (1/2) (Lever handle locks AHL, LG, LX, HL series, electric locks EU, ELSF, ELM series, others)

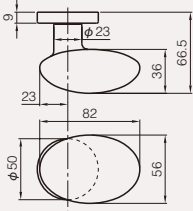
Note 1: Models indicated with (R, L) have handle shapes that are vertically asymmetric and have lever handle handing (R-hand, L-hand).  
 (For the relationship between handle direction (hand) and corresponding door direction (hand), refer to the illustration on P.28.)  
 2: When using a handle marked with \*, there is the risk that depending on the conditions of use, the end of the handle shaft may contact the frame. Check the detailed handle dimensions and the path when the door opens and closes.  
 In particular be sure to check when using a lever handle lock with small backset (LG, LX with  $\phi$ s 32 mm and 38 mm, and LY with  $\phi$ s 32 mm).  
 3: KSA, KSB, and KSC types can be used with a backset of 51 mm or more.

## Dimensions (Unit: mm)

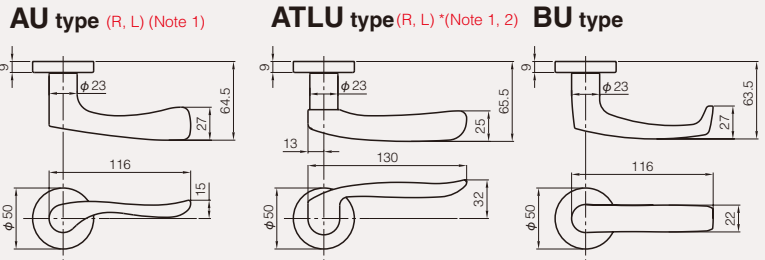
### Stainless steel handles (Rose is R4U rose.)



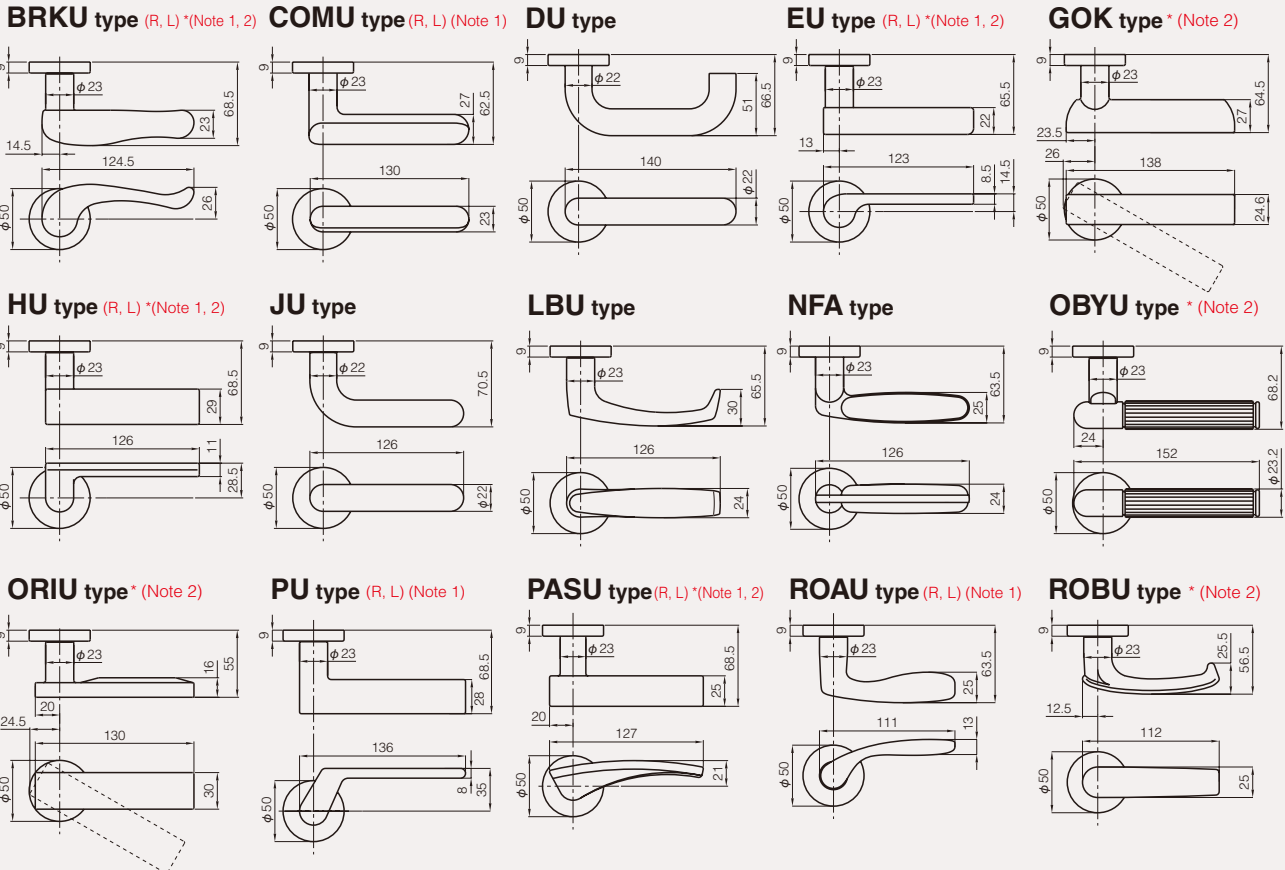
### KIAU type\* (Note 2)



### Aluminum handles (Rose is R4U rose except for ST handle.)



### Aluminum handles (Rose is R4U rose except for ST handle.)



Information

Precautions  
Table of contents /  
Product list  
Basic information

Cylinders  
Keying  
systems

Locks

Push-pull  
locks

Lever  
handle  
locks

Mortise  
locks

Integral  
locks  
Cylindrical  
locks

Rim dead  
locks

Dead locks  
Cremon  
locks  
Glass door  
locks

Emergency  
locks  
Cup handle  
locks

Sliding  
door locks

Electric locks  
Security systems

Ten-key  
pads

Key switches  
Interlock /  
emergency  
door  
systems

Hotel card  
locks

Electric  
locks

Electrical  
conductors,  
Control  
boxes

Dimensions





# List of lever handles (2/2) (Lever handle locks AHL, LG, LX, HL series, electric locks EU, ELSF, ELM series, others)

Note 1: Models indicated with (R, L) have handle shapes that are vertically asymmetric and have lever handle handing (R-hand, L-hand).

(For the relationship between handle direction (hand) and corresponding door direction (hand), refer to the illustration on P.28.)

2: When using a handle marked with \*, there is the risk that depending on the conditions of use, the end of the handle shaft may contact the frame. Check the detailed handle dimensions and the path when the door opens and closes.

In particular be sure to check when using a lever handle lock with small backset (LG, LX with  $\pm$ s 32 mm and 38 mm, and LY with  $\pm$ s 32 mm).

3: KSA, KSB, and KSC types can be used with a backset of 51 mm or more.

Information

Precautions  
Table of contents /  
Product list  
Basic information

Cylinders  
Keying  
systems

Locks

Push-pull  
locks

Lever  
handle  
locks

Mortise  
locks

Integral  
locks  
Cylindrical  
locks

Rim dead  
locks

Dead locks  
Cremon  
locks  
Glass door  
locks

Emergency  
locks  
Cup handle  
locks

Sliding  
door locks

Electric locks  
Security systems

Ten-key  
pads

Key switches  
Interlock /  
emergency  
door  
systems

Hotel card  
locks

Electric  
locks

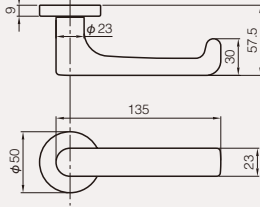
Electrical  
conductors,  
Control  
boxes

Dimensions

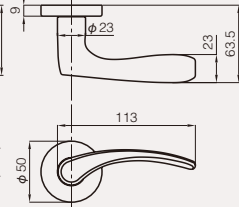
## Dimensions (Unit: mm)

### Aluminum handles (Rose is R4U rose except for ST handle.)

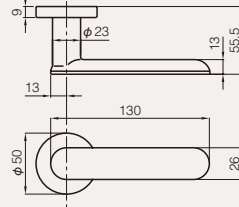
#### TU type



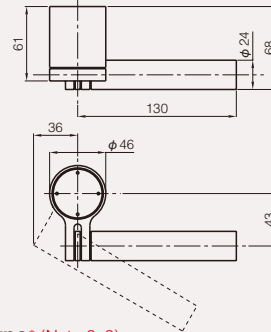
#### WINU type (R, L) (Note 1)



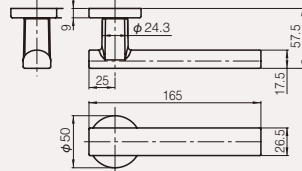
#### ZU type \* (Note 2)



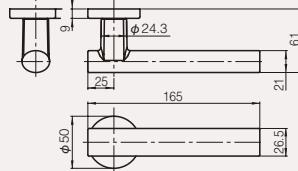
#### ST type (Special rose) (R, L) \*(Note 1, 2)



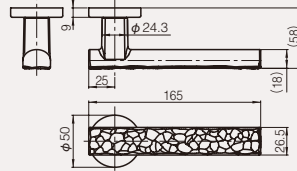
#### KSA type \* (Note 2, 3)



#### KSB type \* (Note 2, 3)



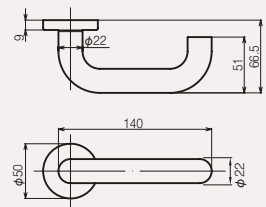
#### KSC type \* (Note 2, 3)



### Anti-bacterial lever handles

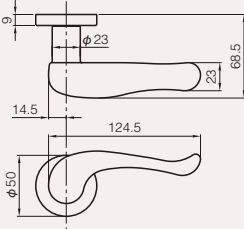
#### DU11-9S type

(Stainless steel) (\* Rose is R4U rose.)

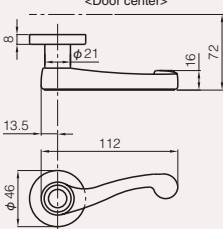


### Brass handles (Rose is R3 rose for PRS and ROL handles, and is R4U rose for other handles.)

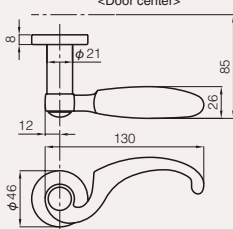
#### BRKU type (R, L) \*(Note 1, 2)



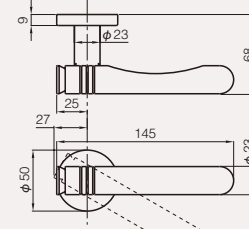
#### PRS type (R, L) \*(Note 1, 2, 4)



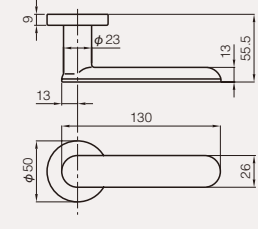
#### ROL type (R, L) \*(Note 1, 2, 4)



#### SWUU type \* (Note 2)



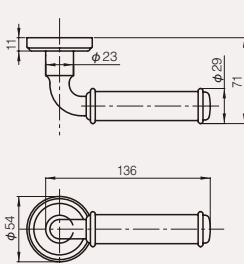
#### ZU type \* (Note 2)



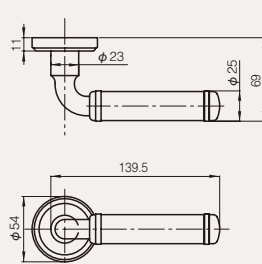
Note 4: Be aware that the method of fastening the handle is different between the R3 rose and the R4U rose.

### High class lever handles

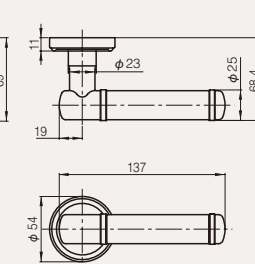
#### DLCU type (R5U rose)



#### GLYU type (R5U rose)

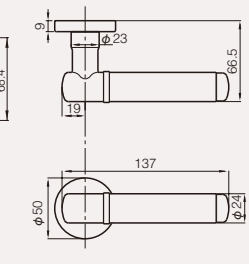


#### HIBU type (R5U rose) \* (Note 2)

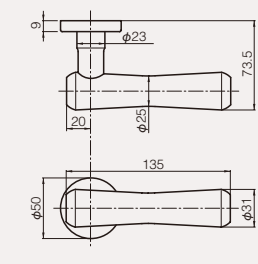


### Reinforced wood lever handles (Rose is R4U rose.)

#### PRCU type \* (Note 2)

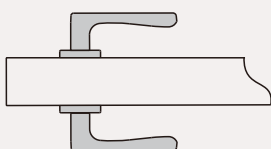


#### RNT type \* (Note 2)



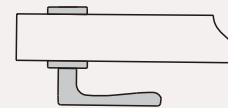
<Fixed handles are also available.> (\* Illustration shows an NU lever handle, however various types of handles are available.)

#### Fixed handle on both sides



#### Fixed handle on one side (special orders)

There is a dummy rose on the door inside.





Information

Precautions  
Table of contents /  
Product list  
Basic information

Cylinders  
Keying  
systems

Locks

Push-pull  
locks

Lever  
handle  
locks

Mortise  
locks

Integral  
locks  
Cylindrical  
locks

Rim dead  
locks

Dead locks  
Cremon  
locks  
Glass door  
locks

Emergency  
locks  
Cup handle  
locks

Sliding  
door locks

Electric locks  
Security systems

Ten-key  
pads

Key switches  
Interlock /  
emergency  
door  
systems

Hotel card  
locks

Electric  
locks

Electrical  
conductors,  
Control  
boxes

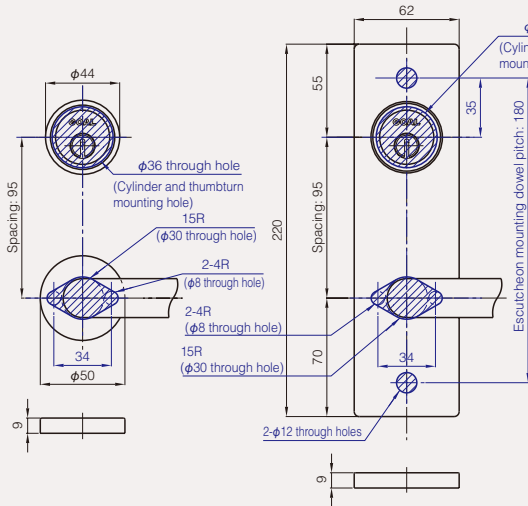
Dimensions

### Dimensions/Notch (Unit: mm)

#### Escutcheons for AHL lever handle locks

<Lever handle locks AHL>  
● R4U rose  
(standard specification)

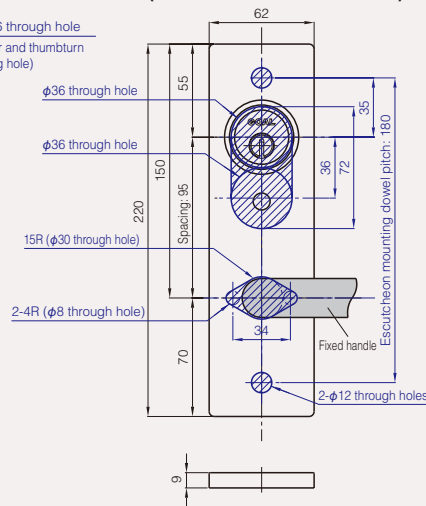
● S1U escutcheon  
(option)



#### <Hotel locks AHL-9>

● S1U escutcheon

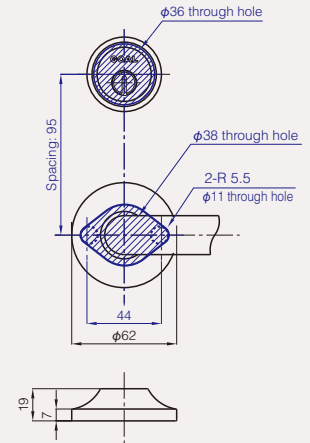
(\* With AHL-9 hotel locks, an S1U escutcheon is the standard specification.)



#### <Anti-panic locks AHLP>

● ELTP rose

(\* With AHLP anti-panic locks, the rose is a special ELTP rose, and the door notch hole is changed to the notch hole for an NK rose of an EU electric lock. (September 2012))



#### Escutcheons for LGK, LGF, LG, LGT, LX lever handle locks

● R4U rose (standard specification)

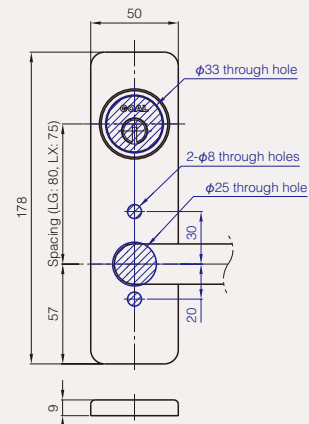
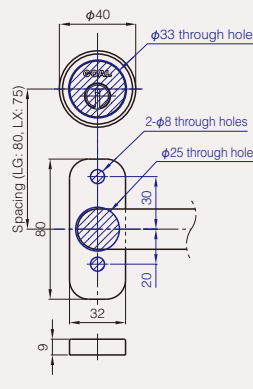
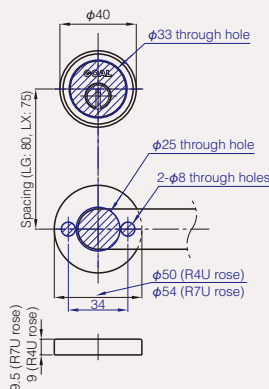
(\* Can be used with a backset of 38 mm or more.)

● K1U escutcheon

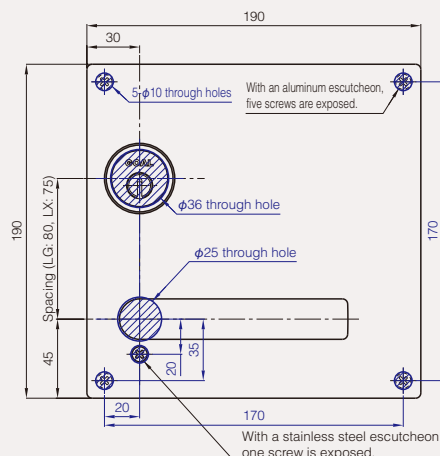
(Escutcheon for LG, LX with backset 32 mm)

● N1U escutcheon (option)

(\* Can be used with a backset of 38 mm or more.)



● N5U escutcheon (option) (Stainless steel: t2.0 Aluminum: t3.0) (\* Can be used with a backset of 51 mm or more.)



# AHL Lever handle locks

## AHL

Model	Backset	Compatible cylinders	Model No.	Door thickness (Contact GOAL for more information.)
AHL	76 mm 100 mm	GP [GP] V18 [V] GV [GV]	6 pins [P] 7 pins [Z] 1, 3, 5, 6, 68, 7, 8 (9: For hotel locks, refer to P.31)	When R4U rose is used: 35~42.5 / 42.5~50 mm When S1U escutcheon is used: 33~38 / 38~43 / 43~48 / 48~53 mm

Information

Precautions  
Table of contents /  
Product list  
Basic information

Cylinders  
Keying  
systems

Locks

Push-pull  
locks

Lever handle  
locks

Mortise  
locks

Integral  
locks  
Cylindrical  
locks

Rim dead  
locks

Dead locks  
Cremon  
locks  
Glass door  
locks

Emergency  
locks  
Cup handle  
locks

Sliding  
door locks

Electric locks  
Security systems

Ten-key  
pads

Key switches  
Interlock /  
emergency  
door  
systems

Hotel card  
locks

Electric  
locks

Electrical  
conductors,  
Control  
boxes

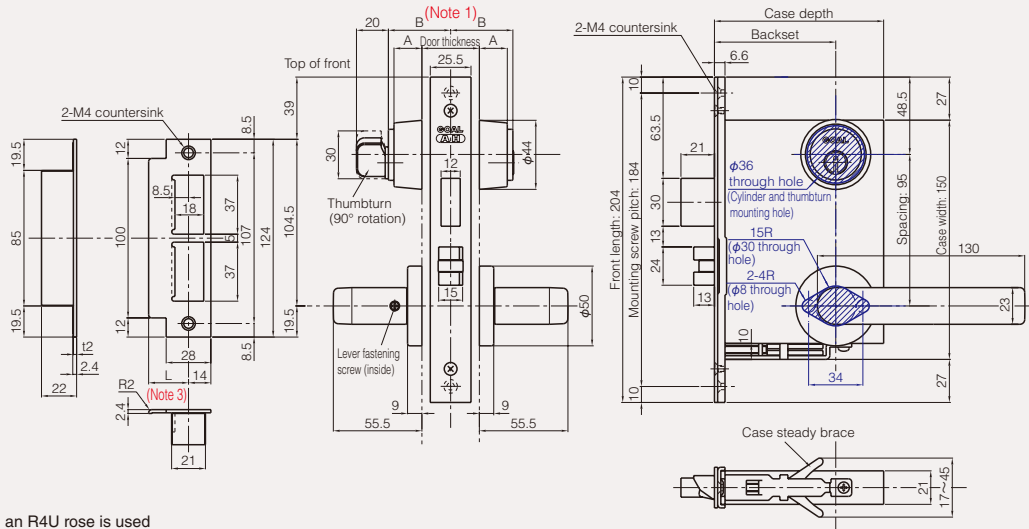
Dimensions

Door thickness: ## mm or more~less than ## mm

**Dimensions/Notch** (Unit: mm) (The model No. 6, 68, 8 notches are the same as No. 5 in the illustration. However with No. 3 and 7, there is a mounting hole for the cylinder and thumbturn on one side only. For No. 1, there is only the lever mounting hole.)

● **V-AHL-5NU (R4U)** (backset 76, 100 mm) <Illustration shows example using a V18 cylinder, NU lever handle, R4U rose. >

\* In addition to the NU lever handle shown in the illustration, various other types are available. (Refer to P.88, 89.)



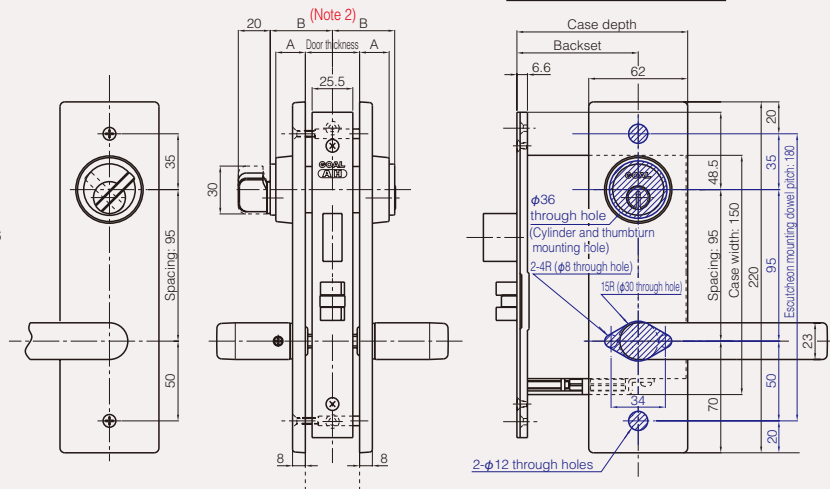
(Note 1) When an R4U rose is used

**Dimensions A and B for cylinders and thumbturns**

Door thickness (mm)	Dimension (mm)	
	A (Collar height)	B (Cylinder and thumbturn height)
35~50	17.5	39
50~63	17.5	46
63~73	22.5	56
73~83	17.5	56

● **V-AHL-5NU (S1U)** <Illustration shows example of using an S1U escutcheon. >

Backset (mm)	76	100
Case depth (mm)	106	130



(Note 2) When an S1U escutcheon is used

**Dimensions A and B for cylinders and thumbturns**

Door thickness (mm)	Dimension (mm)	
	A (Collar height)	B (Cylinder and thumbturn height)
33~38	22	39
38~43	19.5	39
43~48	17	39
48~53	14.5	39

(Note 3)

**Strike plate lip (L) dimension**

Model	Escutcheon used	Door thickness (minimum~less than) mm	Classification	L dimension (mm)
AHL	R4U rose	35~42.5	25L	25
		42.5~50	30L	30
	S1U scutcheon	33~43	25L	25
		43~53	30L	30

\* Indicate the door thickness when ordering.

**⚠ Precautions when selecting a strike plate**

The strike plate shown in the table above is set as standard according to the door thickness, however in the case of a single leaf door and depending on the conditions of the door and frame, the strike plate may protrude by a large amount.

Check the conditions of the door and frame, and select a strike plate with the optimal lip (L) dimension from the table so that the amount of strike plate protrusion is not too large.

# AHLP Anti-panic locks

## AHLP

Model	Backset	Compatible cylinders	Model No.	Door thickness (Contact GOAL for more information.)
AHLP	76 mm 100 mm	GP [GP] V18 [V] GV [GV]	6 pins [P] 7 pins [Z]	5, 7  33~38 / 38~43 / 43~48 / 48~50 / 50~53 mm

### ■ Dimensions/Notch (Unit: mm) (Model No. 7 has thumbturn and cylinder notch holes on one side only.)

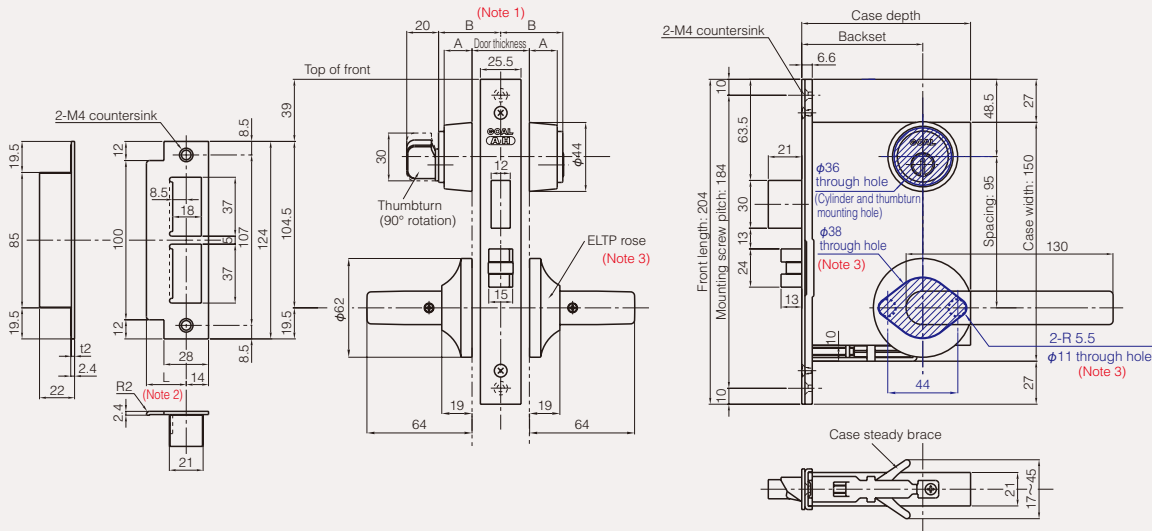
Door thickness: ## mm or more~less than ## mm

#### ● Anti-panic locks V-AHLP-5NU (R)

(backset 76, 100 mm) <Illustration shows example of a V18 cylinder, NU lever handle, ELTP rose, R type for right-hinged out-swinging door. >

\* Be aware that the door notch dimensions are different from AHL.

Backset (mm)	76	100
Case dept (mm)	106	130



Note 3: The ELTP rose notch hole is changed to the notch hole for an NK rose of an EU electric lock. (September 2012)

(Note 1)

#### ■ Dimensions A and B for cylinders and thumbturns

Door thickness (mm)	Dimension (mm)	
	A (Collar height)	B (Cylinder and thumbturn height)
33~50	17.5	39
50~63	17.5	46
63~73	22.5	56
73~83	17.5	56

(Note 2)

#### ■ Strike plate lip (L) dimension

Model	Escutcheon used	Door thickness (minimum~less than) mm	Classification	L dimension (mm)
AHLP	ELTP rose (Special rose)	33~43	25L	25
		43~53	30L	30
		53~63	33L	33

\* Indicate the door thickness when ordering.

Information

Precautions  
Table of contents /  
Product list  
Basic information

Cylinders  
Keying  
systems

Locks

Push-pull  
locks

Lever  
handle  
locks

Mortise  
locks

Integral  
locks  
Cylindrical  
locks

Rim dead  
locks

Dead locks  
Cremon  
locks  
Glass door  
locks

Emergency  
locks  
Cup handle  
locks

Sliding  
door locks

Electric locks  
Security systems

Ten-key  
pads

Key switches  
Interlock /  
emergency  
door  
systems

Hotel card  
locks

Electric  
locks

Electrical  
conductors,  
Control  
boxes

Dimensions



# AHL-9 Lever handle type Hotel locks AHL-9

Compatible cylinders	Model No.	Hand	Backset	Door thickness (Contact GOAL for more information.)	Gap (door and jamb)
GP [GP] V18 [V] GV [GV]	6 pins [P] 7 pins [Z]	R L	76 mm 100 mm	33~38 / 38~43 / 43~48 / 48~53 mm	6 mm or less

▼ Information

Precautions  
Table of contents /  
Product list  
Basic information

Cylinders  
Keying  
systems

▼ Locks

Push-pull  
locks

Lever  
handle  
locks

Mortise  
locks

Integral  
locks  
Cylindrical  
locks

Rim dead  
locks

Dead locks  
Cremon  
locks  
Glass door  
locks

Emergency  
locks  
Cup handle  
locks

Sliding  
door locks

▼ Electric locks  
Security systems

Ten-key  
pads

Key switches  
Interlock /  
emergency  
door  
systems

Hotel card  
locks

Electric  
locks

Electrical  
conductors,  
Control  
boxes

Dimensions

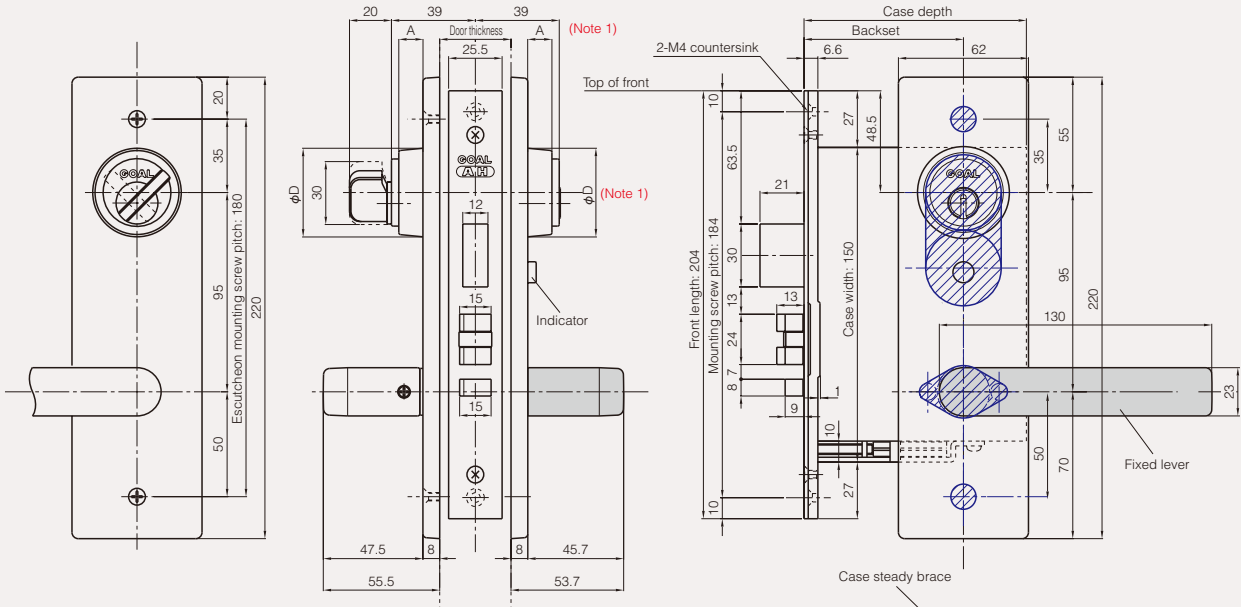
## Dimensions/Notch (Unit: mm)

Door thickness: ## mm or more~less than ## mm

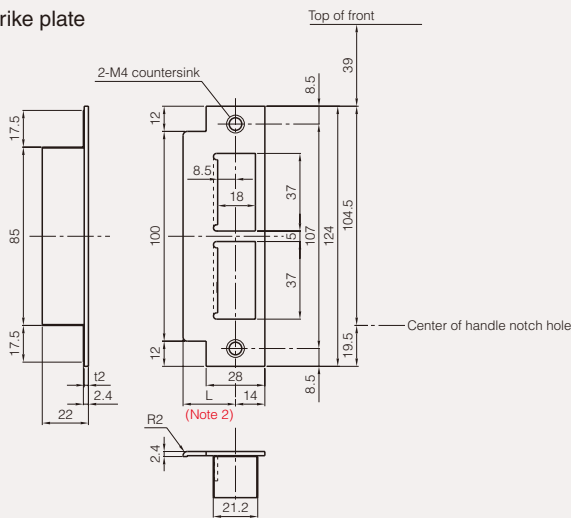
### ● V-AHL-9NU (S1U) (R) <Illustration shows a V18 cylinder, NU lever handle, S1U escutcheon, R type for left-hinged in-swinging door.>

\* The S1U escutcheon is provided as standard.

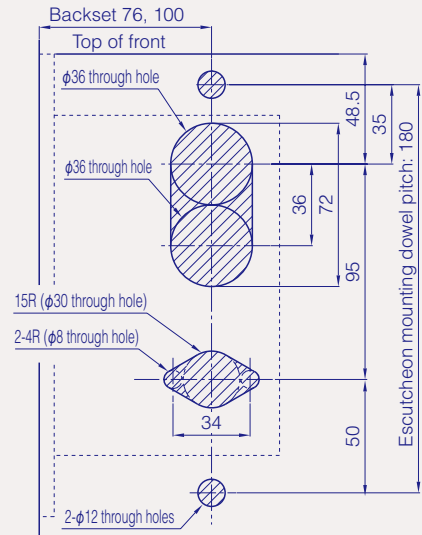
Backset (mm)	76	100
Case depth (mm)	106	130



### ● Strike plate



### <Door notch dimensions>



(Note 2)

### Strike plate lip (L) dimension

For single leaf door ⚠		
Door thickness (minimum~less than) mm	Classification	L dimension (mm)
33~43	25L	25
43~53	30L	30

For double leaf door		
Door thickness (minimum~less than) mm	Classification	L dimension (mm)
33~38	18L	18
38~43	20L	20
43~48	23L	23
48~53	25L	25

(Note 1)

### Dimensions A and D for cylinders and thumbturns

Door thickness (mm)	Dimension (mm)	
	A (Collar height)	φD (Collar diameter)
33~38	14.0	42.6
38~43	11.5	42.1
43~48	9.0	41.7
48~53	6.5	41.2

### ⚠ Precautions when selecting a strike plate

The strike plate shown in the table at left is set as standard according to the door thickness, however in the case of a single leaf door and depending on the conditions of the door and frame, the strike plate may protrude by a large amount.

Check the conditions of the door and frame, and select a strike plate with the optimal lip (L) dimension from the table so that the amount of strike plate protrusion is not too large.

\* Indicate the door thickness when ordering.

Compatible cylinders	Model No.	Backset	Door thickness (Contact GOAL for more information.)
GP [GP] V18 [V] GV [GV]	6 pins [P] 7 pins [Z]	1,3,33, 4,45 (Note 5) 5,6,7	(Note 4) 32,38,51 64,76 mm
			29~33 / 33~43 / 43~53 mm

Door thickness: ## mm or more~less than ## mm

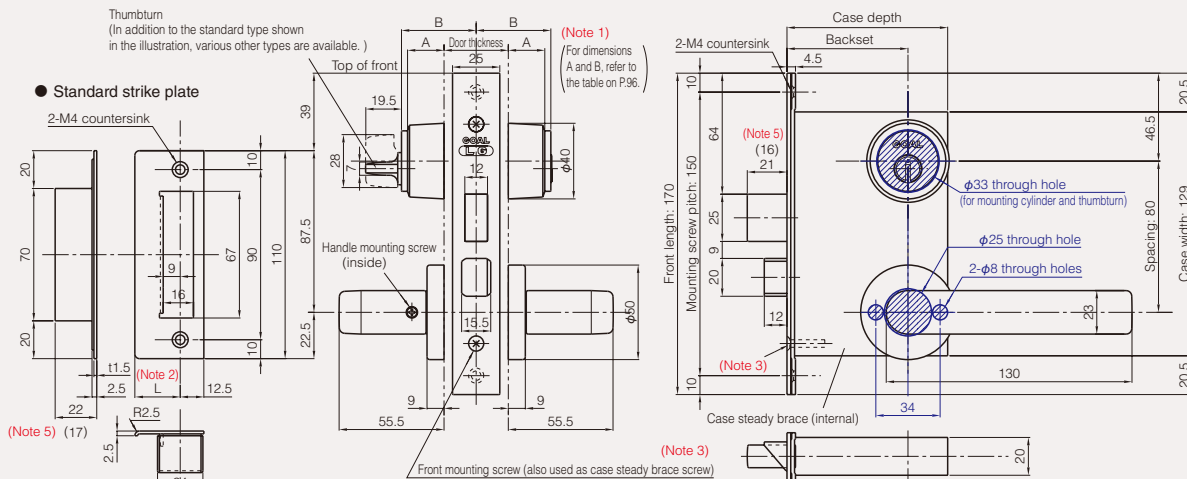
**Dimensions/Notch** (Unit: mm) (The model No. 33, 4, 45, 6 notches are the same as No. 5 in the illustration. However for No. 3 and 7, there is a mounting hole for the cylinder and thumbturn on one side only. For No. 1, there is only the lever mounting hole.)

● **V-LG-5NU (R4U)** (backset 38, 51, 64, 76 mm) <Illustration shows a V18 cylinder, **NU** lever handle, **R4U** rose.>

\* In addition to the NU lever handle shown in the illustration, various other types are available. (Refer to P.88, 89.) In addition to the R4U rose (standard type) shown in the illustration, various other escutcheons are available. (Refer to P.90.)

\* In addition to the standard type front shown in the illustration, various other types are available.

Backset (mm)	38	51	64	76
Case depth (mm)	56	72	85	97



Note 3: Because the case steady brace becomes effective when this screw is tightened, tighten this screw last.

Note 4: With backset 32 mm, the escutcheon is a K1U escutcheon. The deadbolt throw is also 16 mm and the strike box depth is 17 mm.

Note 5: With the LG-4 and 45 in-room partition locks, the deadbolt throw is 16 mm and the strike box depth is 17 mm.

With backset 76 mm, the deadbolt throw is 21 mm and the strike box depth is 22 mm.

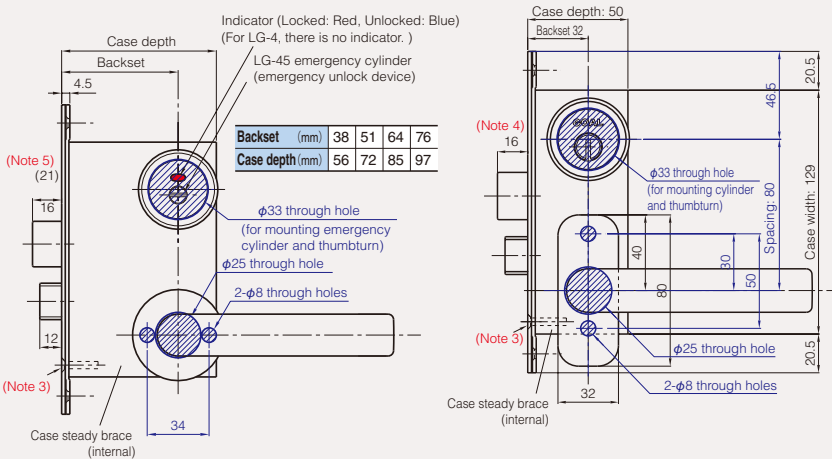
● **Partition locks LG-4, 45NU (R4U)** (backset 38, 51, 64, 76 mm) (Note 5)

\* Backset 32 mm is also available, however the escutcheon is a K1U escutcheon. (Note 4)

\* LG-45VF with large indicator is also available.

● **V-LG-5NU (K1U)** (backset 32 mm) (Note 4)

<Illustration shows a V18 cylinder, **NU** lever handle, **K1U** escutcheon.>



(Note 2) **Strike plate lip (L) dimension**

For single leaf door ⚠			For double leaf door		
Door thickness (minimum~less than) mm	Classification	L dimension (mm)	Door thickness (minimum~less than) mm	Classification	L dimension (mm)
29~33	20L	20	29~33	16L	16
33~38	24L	24	33~37	18L	18
38~43			37~41	20L	20
43~48	30L	30	41~45	22L	22
48~53			45~49	24L	24
53~58	34L	34	49~53	26L	26
58~63			53~57	28L	28
			57~61	30L	30
			61~65	32L	32

⚠ **Precautions when selecting a strike plate**

The strike plate shown in the table above is set as standard according to the door thickness, however in the case of a single leaf door and depending on the conditions of the door and frame, the strike plate may protrude by a large amount.

Check the conditions of the door and frame, and select a strike plate with the optimal lip (L) dimension from the table so that the amount of strike plate protrusion is not too large.

# ND cylinders with indicator function

## Lever handle locks **LG**

Compatible cylinders	Model No.	Hand	Backset	Door thickness (Contact GOAL for more information.)
GP [GP] V18 [V] GV [GV]	6 pins [P] 7 pins [Z]	5	R type L type	51, 64, 76 mm
				29~33 / 33~43 / 43~53 mm

## ▼ Information

 Precautions  
 Table of contents /  
 Product list  
 Basic information

 Cylinders  
 Keying  
 systems

## ▼ Locks

 Push-pull  
 locks

 Lever  
 handle  
 locks

 Mortise  
 locks

 Integral  
 locks  
 Cylindrical  
 locks

 Rim dead  
 locks

 Dead locks  
 Cremon  
 locks  
 Glass door  
 locks

 Emergency  
 locks  
 Cup handle  
 door  
 locks

 Sliding  
 door  
 locks

 ▼ Electric locks  
 Security systems

 Ten-key  
 pads

 Key switches  
 Interlock /  
 emergency  
 door  
 systems

 Hotel card  
 locks

 Electric  
 locks

 Electrical  
 conductors,  
 Control  
 boxes

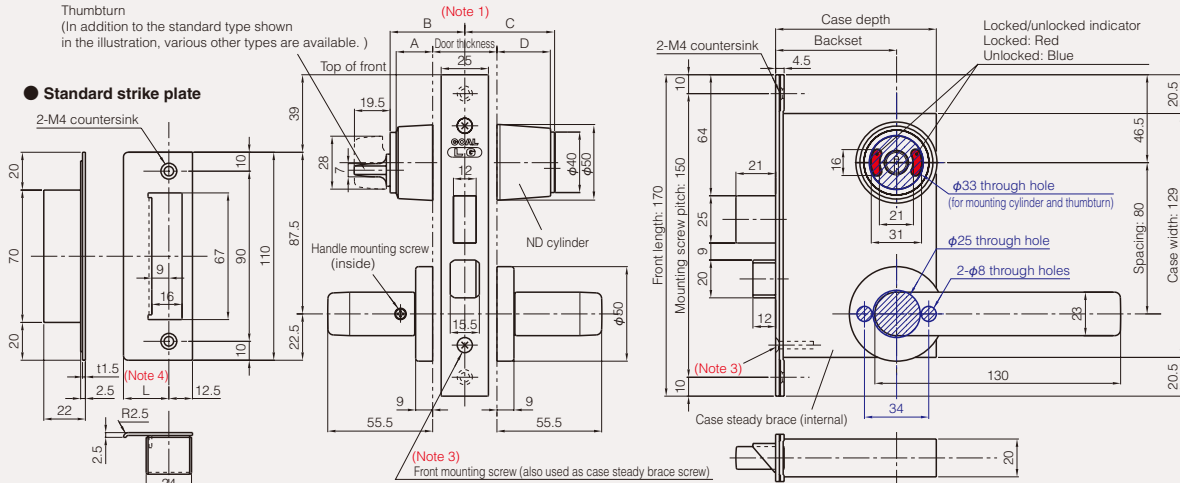
## Dimensions

**Dimensions/Notch** (Unit: mm)

Door thickness: ## mm or more~less than ## mm

**● V-LG-5NU (R) (ND)** (backset 51, 64, 76 mm) <Illustration shows an ND cylinder of a V18 cylinder, NU lever handle, R type. > (Note 2)

- \* Use an ND cylinder with a lock backset of 51 mm or more.
- \* In addition to the V18 cylinder shown in the illustrations, GP, GV, 6-pin, and 7-pin ND cylinders are also available.
- \* In addition to the NU lever handle shown in the illustration, various other types are available. (Refer to P.88, 89.)
- \* In addition to the standard type front shown in the illustration, various other types are available.



Note 3: Because the case steady brace becomes effective when this screw is tightened, tighten this screw last.

(Note 1)

**Dimensions A, B, C, and D for cylinders and thumbturns**

Door thickness (mm)	Dimension (mm)			
	A (Thumbturn collar height)	B (Thumbturn height)	C (ND cylinder height)	D (ND cylinder collar height)
29~43	19.5	38.5	55	35.5
43~53	14.5	38.5	65	35.5

(Note 4)

**Strike plate lip (L) dimension**

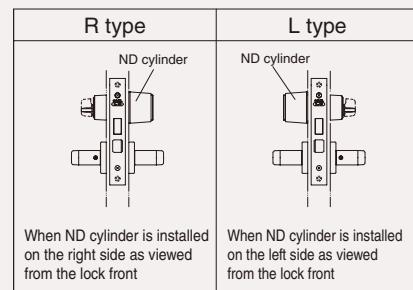
For single leaf door			For double leaf door		
Door thickness (minimum~less than) mm	Classification	L dimension (mm)	Door thickness (minimum~less than) mm	Classification	L dimension (mm)
29~33	20L	20	29~33	16L	16
33~38	24L	24	33~37	18L	18
38~43			20L	20	
43~48	30L	30	41~45	22L	22
48~53			45~49	24L	24
			49~53	26L	26

 **Precautions when selecting a strike plate**

The strike plate shown in the table above is set as standard according to the door thickness, however in the case of a single leaf door and depending on the conditions of the door and frame, the strike plate may protrude by a large amount.

Check the conditions of the door and frame, and select a strike plate with the optimal lip (L) dimension from the table so that the amount of strike plate protrusion is not too large.

(Note 2)

**ND cylinder direction (hand)**




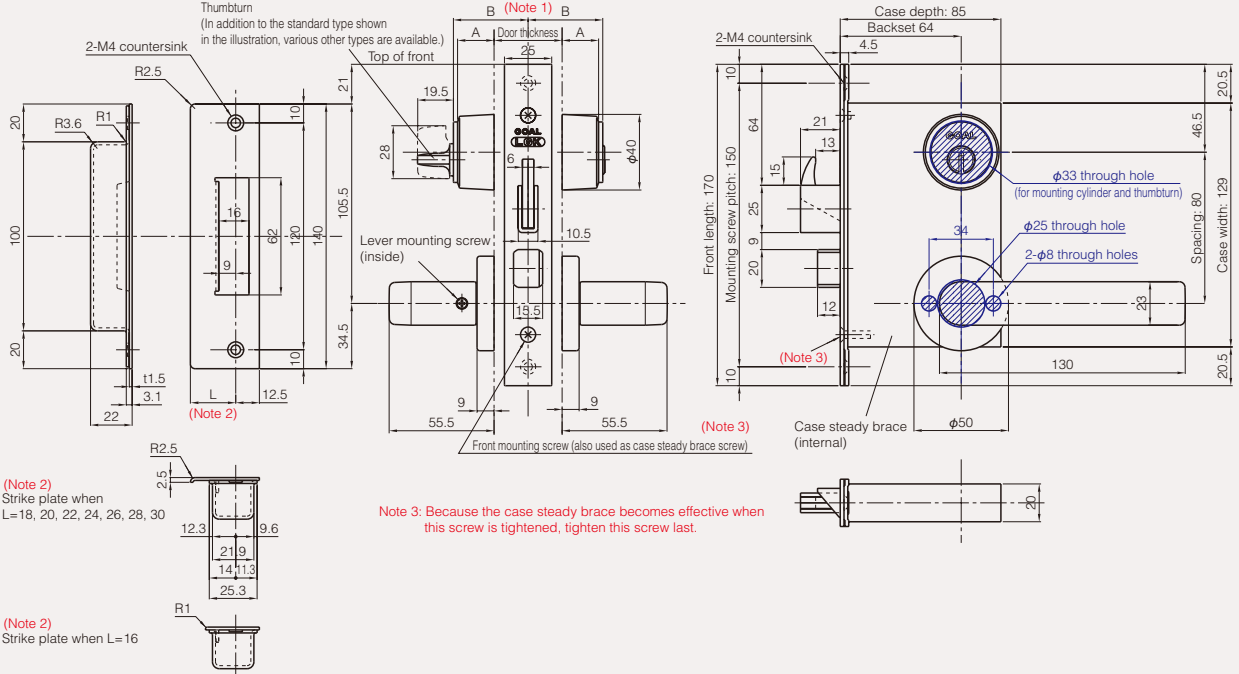
# Lever handle locks LGK (hooked deadbolt)

Compatible cylinders	Model No.	Backset	Door thickness (Contact GOAL for more information.)
GP [GP]	6 pins [P]	3,5,6,7	29~33 / 33~43 / 43~53 mm (Gap: 6 mm or less)
V18 [V]	7 pins [Z]		
GV [GV]			

**Dimensions/Notch** (Unit: mm) (The model No. 6 notch is the same as No. 5 in the illustration. However for No. 3 and 7, there is a mounting hole for the cylinder and thumbturn on one side only.)

● **V-LGK-5NU (R4U)** (backset 64 mm) <Illustration shows a V18 cylinder, NU lever handle, R4U rose.>

\* In addition to the NU lever handle shown in the illustration, various other types are available. (Refer to P.88, 89.) In addition to the R4U rose (standard type) shown in the illustration, various other escutcheons are available. (Refer to P.90.)  
 \* In addition to the standard type front shown in the illustration, various other types are available.



(Note 2) **Strike plate lip (L) dimension**

For single leaf door ⚠		
Door thickness (minimum~less than) mm	Classification	L dimension (mm)
29~33	20L	20
33~38	24L	24
38~43		
43~48	30L	30
48~53		

For double leaf door		
Door thickness (minimum~less than) mm	Classification	L dimension (mm)
29~33	16L	16
33~37	18L	18
37~41	20L	20
41~45	22L	22
45~49	24L	24
49~53	26L	26

(Note 1) **Dimensions A and B for cylinders and thumbturns**

Door thickness (mm)	Dimension (mm)	
	A (Collar height)	B (Cylinder and thumbturn height)
29~43	19.5	38.5
43~53	14.5	38.5
53~63	19.5	48.5
63~73	14.5	48.5
73~83	19.5	58.5

⚠ **Precautions when selecting a strike plate**

The strike plate shown in the table above is set as standard according to the door thickness, however in the case of a single leaf door and depending on the conditions of the door and frame, the strike plate may protrude by a large amount. Check the conditions of the door and frame, and select a strike plate with the optimal lip (L) dimension from the table so that the amount of strike plate protrusion is not too large.

Information

Precautions  
Table of contents /  
Product list  
Basic information

Cylinders  
Keying  
systems

Locks

Push-pull  
locks

Lever handle  
locks

Mortise  
locks

Integral  
locks  
Cylindrical  
locks

Rim dead  
locks

Dead locks  
Cremon  
locks  
Glass door  
locks

Emergency  
locks  
Cup handle  
locks

Sliding  
door locks

Electric locks  
Security systems

Ten-key  
pads

Key switches  
Interlock /  
emergency  
door  
systems

Hotel card  
locks

Electric  
locks

Electrical  
conductors,  
Control  
boxes

Dimensions



Compatible cylinders	Model No.	Backset	Door thickness (Contact GOAL for more information.)
GP[GP]	6 pins [P]	1,3,33	29~33 / 33~43 / 43~53 mm
V18[V]	7 pins [Z]	4,45 (Note 4)	
GV[GV]	5,6,7		

Door thickness: ## mm or more~less than ## mm

▼ Information  
Precautions  
Table of contents /  
Product list  
Basic information

Cylinders  
Keying  
systems

▼ Locks

Push-pull  
locks

Lever handle  
locks

Mortise  
locks

Integral  
locks  
Cylindrical  
locks

Rim dead  
locks

Dead locks  
Cremon  
locks  
Glass door  
locks

Emergency  
locks  
Cup handle  
locks

Sliding  
door locks

▼ Electric locks  
Security systems

Ten-key  
pads

Key switches  
Interlock /  
emergency  
door  
systems

Hotel card  
locks

Electric  
locks

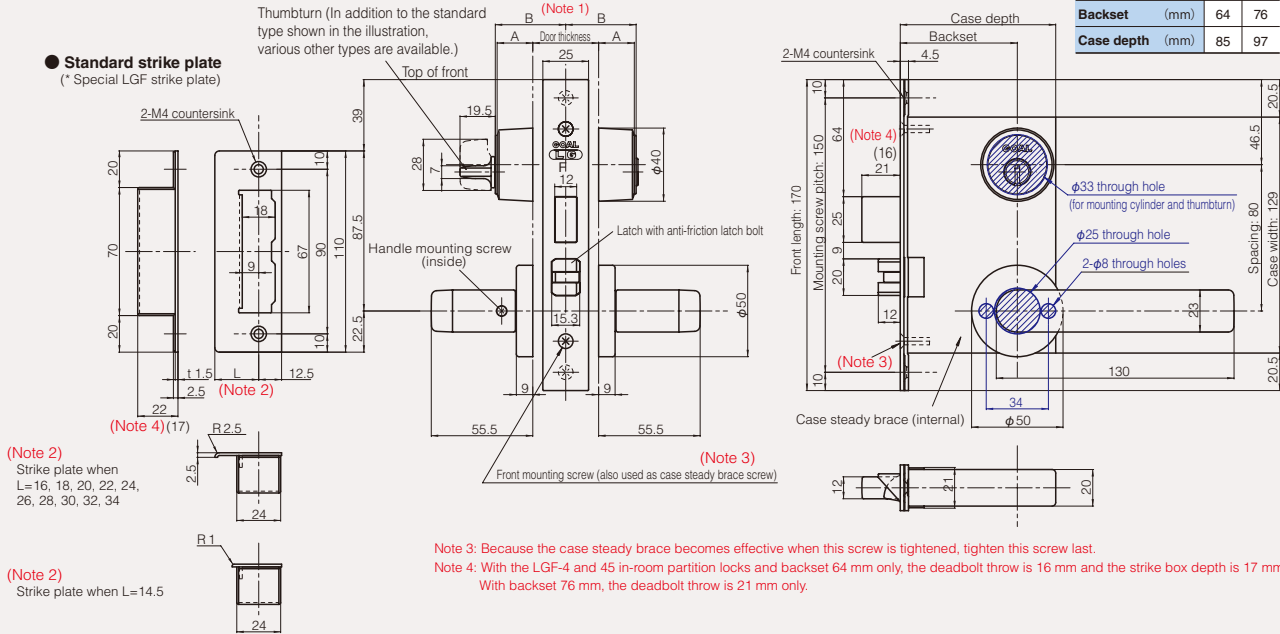
Electrical  
conductors,  
Control  
boxes

Dimensions

**Dimensions/Notch** (Unit: mm) (The model No. 33, 4, 45, 6 notches are the same as No. 5 in the illustration. However create a thumbturn mounting hole (No. 3) or cylinder mounting hole (No. 7) on one side only. For No. 1, there is only the lever mounting hole.)

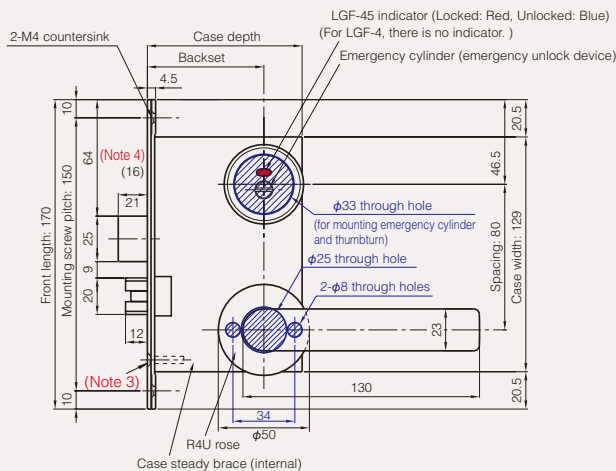
● **V-LGF-5NU (R4U)** (backset 64, 76 mm) <Illustration shows a V18 cylinder, NU lever handle, R4U rose.>

\* In addition to the NU lever handle shown in the illustration, various other types are available. (Refer to P.88, 89.) In addition to the R4U rose (standard type) shown in the illustration, various other escutcheons are available. (Refer to P.90.)



● **Partition locks LGF-4, 45**

Backset (mm)	64	76
Case depth (mm)	85	97



(Note 1) **Dimensions A and B for cylinders and thumbturns**

Door thickness (mm)	Dimension (mm)	
	A (Collar height)	B (Cylinder and thumbturn height)
29~43	19.5	38.5
43~53	14.5	38.5
53~63	19.5	48.5
63~73	14.5	48.5
73~83	19.5	58.5

(Note 2) **Strike plate lip (L) dimension**

For single leaf door		
Door thickness (minimum~less than) mm	Classification	L dimension (mm)
29~33	20L	20
33~38	24L	24
38~43		
43~48	30L	30
48~53		

For double leaf door		
Door thickness (minimum~less than) mm	Classification	L dimension (mm)
29~33	16L	16
33~37	18L	18
37~41	20L	20
41~45	22L	22
45~49	24L	24
49~53	26L	26
53~57	28L	28
57~61	30L	30
61~65	32L	32
65~69	34L	34

▲ **Precautions when selecting a strike plate**

The strike plate shown in the table above is set as standard according to the door thickness, however in the case of a single leaf door and depending on the conditions of the door and frame, the strike plate may protrude by a large amount.

Check the conditions of the door and frame, and select a strike plate with the optimal lip (L) dimension from the table so that the amount of strike plate protrusion is not too large.

# LGT Earthquake-safe locks

## LGT

Information

Precautions  
Table of contents /  
Product list  
Basic information

Cylinders  
Keying  
systems

Locks

Push-pull  
locks

Lever  
handle  
locks

Mortise  
locks

Integral  
locks  
Cylindrical  
locks

Rim dead  
locks

Dead locks  
Cremon  
locks  
Glass door  
locks

Emergency  
locks  
Cup handle  
locks

Sliding  
door locks

Electric locks  
Security systems

Ten-key  
pads

Key switches  
Interlock /  
emergency  
door  
systems

Hotel card  
locks

Electric  
locks

Electrical  
conductors,  
Control  
boxes

Dimensions

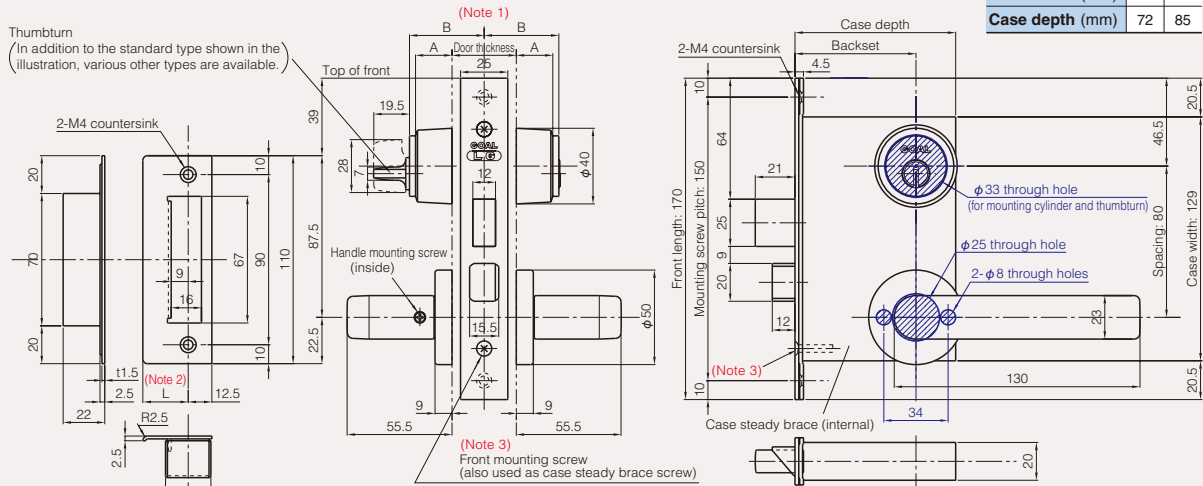
Compatible cylinders	Model No.	Backset	Door thickness (Contact GOAL for more information.)
GP [GP] V18 [V] GV [GV]	6 pins [P] 7 pins [Z]	3, 5, 6, 7	51, 64 mm 29-33 / 33-43 / 43-53 mm

**Dimensions/Notch** (Unit: mm) (The model No. 6 notch is the same as No. 5 in the illustration. However for No. 3) and 7, there is a mounting hole for the cylinder and thumbturn on one side only.)

Door thickness: ## mm or more-less than ## mm

● **V-LGT-5NU(R4U)** (backset 51, 64, mm) <Illustration shows a V18 cylinder, NU lever handle, R4U rose.>

\* In addition to the NU lever handle shown in the illustration, various other types are available. (Refer to P.88, 89.) In addition to the R4U rose (standard type) shown in the illustration, various other escutcheons are available. (Refer to P.90.)  
\* In addition to the standard type front shown in the illustration, various other types are available.



Note 3: Because the case steady brace becomes effective when this screw is tightened, tighten this screw last.

(Note 2)

■ **Strike plate lip (L) dimension**

For single leaf door ⚠			For double leaf door		
Door thickness (minimum-less than) mm	Classification	L dimension (mm)	Door thickness (minimum-less than) mm	Classification	L dimension (mm)
29-33	20L	20	29-33	16L	16
33-38	24L	24	33-37	18L	18
38-43			37-41	20L	20
43-48	30L	30	41-45	22L	22
48-53			45-49	24L	24
53-58	34L	34	49-53	26L	26
58-63			53-57	28L	28
			57-61	30L	30
			61-65	32L	32

(Note 1)

■ **Dimensions A and B for cylinders and thumbturns**

Door thickness (mm)	Dimension (mm)	
	A (Collar height)	B (Cylinder and thumbturn height)
29-43	19.5	38.5
43-53	14.5	38.5
53-63	19.5	48.5
63-73	14.5	48.5
73-83	19.5	58.5

⚠ **Precautions when selecting a strike plate**

The strike plate shown in the table above is set as standard according to the door thickness, however in the case of a single leaf door and depending on the conditions of the door and frame, the strike plate may protrude by a large amount. Check the conditions of the door and frame, and select a strike plate with the optimal lip (L) dimension from the table so that the amount of strike plate protrusion is not too large.

Compatible cylinders	Model No.	Backset	Door thickness (Contact GOAL for more information.)
GP [GP] V18 [V] GV [GV]	6 pins [P] 7 pins [Z]	1, 3, 33 4, 45 (Note 5) 5, 6, 7	(Note 4) 32, 38, 51, 64 mm

## Information

Precautions  
Table of contents /  
Product list  
Basic information

## Cylinders Keying systems

## Locks

## Push-pull locks

## Lever handle locks

## Mortise locks

## Integral locks Cylindrical locks

## Rim dead locks

## Dead locks Cremon locks Glass door locks

## Emergency locks Cup handle locks

## Sliding door locks

## Electric locks Security systems

## Ten-key pads

## Key switches Interlock / emergency door systems

## Hotel card locks

## Electric locks

## Electrical conductors, Control boxes

## Dimensions

### Dimensions/Notch (Unit: mm)

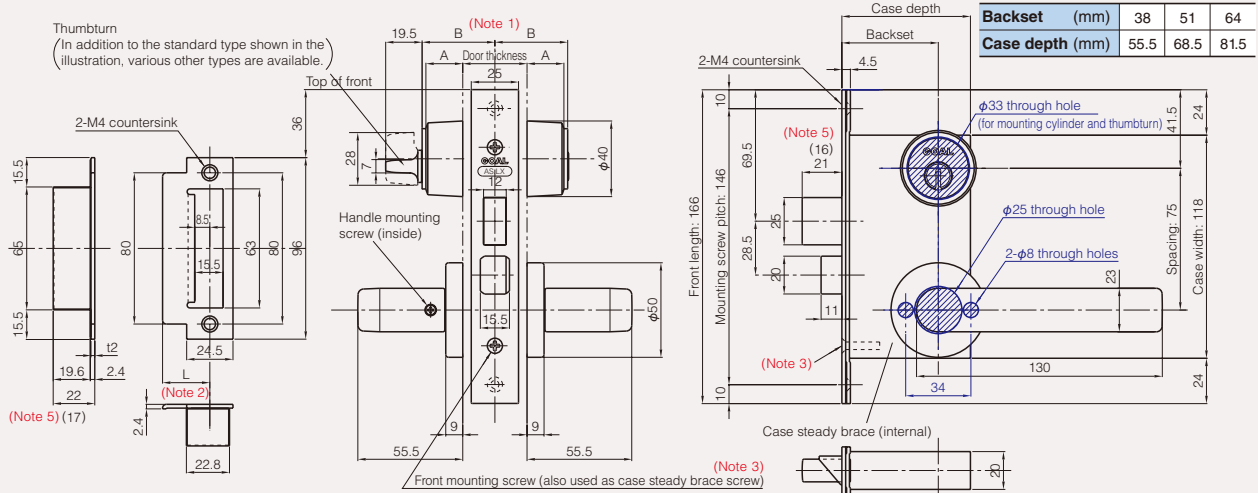
(The model No. 33, 4, 45, 6 notches are the same as No. 5 in the illustration. However for No. 3 and 7, there is a mounting hole for the cylinder and thumbturn on one side only. For No. 1, there is only the lever mounting hole.)

### ● V-LX-5NU(R4U) (backset 38, 51, 64 mm) <Illustration shows a V18 cylinder, NU lever handle, R4U rose.>

\* In addition to the NU lever handle shown in the illustration, various other types are available. (Refer to P.88, 89.) In addition to the standard rose (R4U rose) shown in the illustration, various other escutcheons are available. (Refer to P.90 for details.)

\* In addition to the standard type front shown in the illustration, various other types are available.

Door thickness: ## mm or more-less than ## mm



Note 3: Because the case steady brace becomes effective when this screw is tightened, tighten this screw last.

Note 4: With backset 32 mm, the escutcheon is a K1U escutcheon.

Note 5: With the LX-4 and 45 in-room partition locks, the deadbolt throw is 16 mm and the strike box depth is 17 mm.

(Note 2)

### Strike plate lip (L) dimension

For single leaf door ⚠

Door thickness (minimum~less than) mm	Classification	L dimension (mm)
29-33	20L	20
33-43	25L	25
43-53	30L	30

For double leaf door

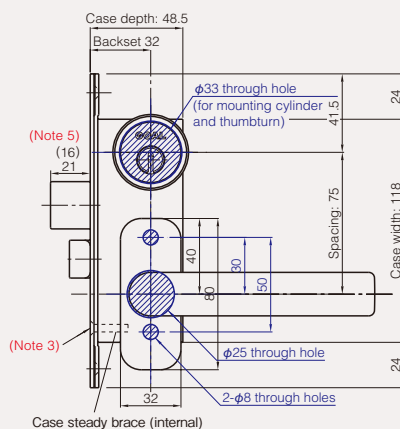
Door thickness (minimum~less than) mm	Classification	L dimension (mm)
29-33	16L	16
33-37	18L	18
37-41	20L	20
41-47	23L	23
47-51	25L	25
51-57	28L	28

### ⚠ Precautions when selecting a strike plate

The strike plate shown in the table above is set as standard according to the door thickness, however in the case of a single leaf door and depending on the conditions of the door and frame, the strike plate may protrude by a large amount. Check the conditions of the door and frame, and select a strike plate with the optimal lip (L) dimension from the table so that the amount of strike plate protrusion is not too large.

### ● V-LX-5NU(K1U) (backset 32 mm) (Note 4)

<Illustration shows a V18 cylinder, NU lever handle, K1U escutcheon.>





# Lever handle-type automatic locking locks

## LH series

Compatible cylinders	Model No.	Backset	Door thickness (Contact GOAL for more information.)
GP [GP] V18 [V] GV [GV]	6 pins [P] 7 pins [Z]	7	51 mm 64 mm
			33-43 / 43-53 mm (Gap: 6 mm or less)

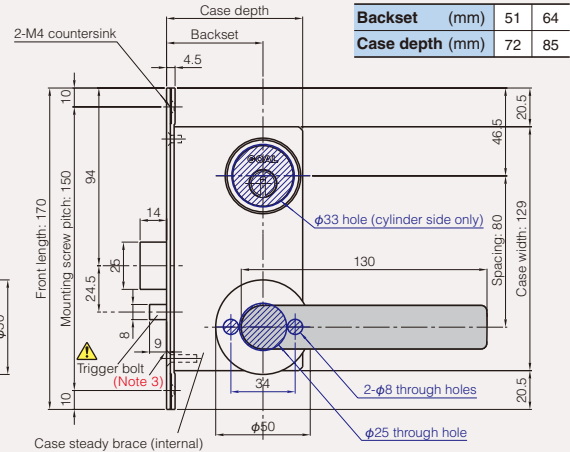
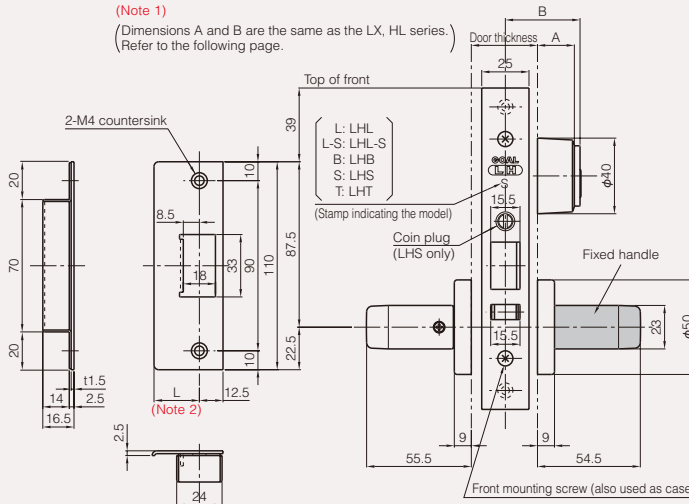
### Dimensions/Notch (Unit: mm)

Door thickness: ## mm or more-less than ## mm

- **V-LHL, LHB, LHS, LHT-7NU(R)** (backset 51, 64 mm)  
 <Illustration shows a V18 cylinder, NU lever handle, R type for right-hinged out-swinging door.>

- ⚠ **Precautions:** 1. Be sure to install a door stop so that the door stops in the correct closed position.  
 2. For LHL, LHL-S, it is not possible to retract the trigger bolt using the key or the inside handle.  
 Be aware that if the door is closed and the trigger bolt enters the frame hole or strike plate hole, it will not be possible to open the door.

\* In addition to the NU lever handle shown in the illustration, various other types are available. (Refer to P.88, 89.)



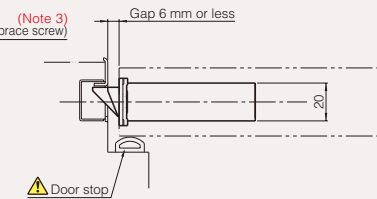
Backset (mm)	51	64
Case depth (mm)	72	85

### Strike plate lip (L) dimension

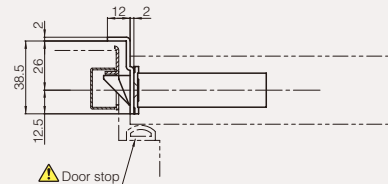
For single leaf door			For double leaf door		
Door thickness (minimum~less than) mm	Classification	L dimension (mm)	Door thickness (minimum~less than) mm	Classification	L dimension (mm)
33-38	24L	24	33-37	18L	18
38-43			37-41	20L	20
43-48	30L	30	41-45	22L	22
48-53			45-49	24L	24
			49-53	26L	26

\* The indicated strike plates are set as standard, however strike plates are available with an L dimension in 2 mm increments starting from 18 mm (18L strike plate). Specify the strike plate according to the conditions of the door and frame.

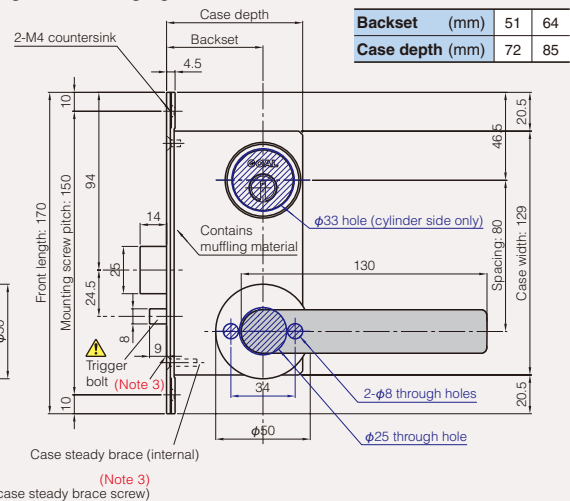
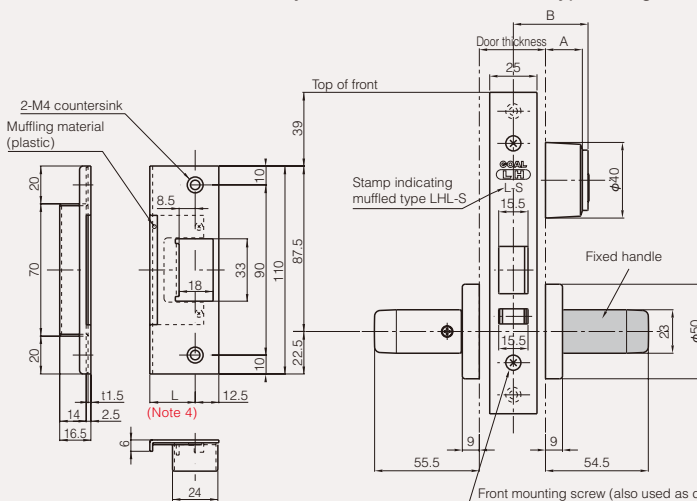
- ⚠ **Precautions when selecting a strike plate**  
 The strike plate shown in the table above is set as standard according to the door thickness, however in the case of a single leaf door and depending on the conditions of the door and frame, the strike plate may protrude by a large amount. Check the conditions of the door and frame, and select a strike plate with the optimal lip (L) dimension from the table so that the amount of strike plate protrusion is not too large.



\* A front with guard plate (LH No. 5 front) is also available.



- **V-LHL-S-7NU(R)** (muffled type) (backset 51, 64 mm)  
 <Illustration shows a V18 cylinder, NU lever handle, R type for right-hinged out-swinging door.>



Backset (mm)	51	64
Case depth (mm)	72	85

Note 4: LHL-S strike plate L dimension  
 L=18,20,22,24,26,28

Note 3: Because the case steady brace becomes effective when this screw is tightened, tighten this screw last.

Information

Precautions  
 Table of contents /  
 Product list  
 Basic information

Cylinders  
 Keying  
 systems

Locks

Push-pull  
 locks

Lever handle  
 locks

Mortise  
 locks

Integral locks  
 Cylindrical  
 locks

Rim dead  
 locks

Dead locks  
 Cremon  
 locks  
 Glass door  
 locks

Emergency  
 locks  
 Cup handle  
 locks

Sliding  
 door locks

Electric locks  
 Security systems

Ten-key  
 pads

Key switches  
 Interlock /  
 emergency  
 door  
 systems

Hotel card  
 locks

Electric  
 locks

Electrical conductors,  
 Control  
 boxes

Dimensions



# HL, HLP HLT

# Lever handle locks HL Anti-panic locks HLP Automatic locking locks HLT, HLT

⚠ HLP and HLT include products for different directions (hands).

Model	Compatible cylinders	Model No.	Backset	Door thickness (Contact GOAL for more information.)	Gap (door and jamb)
HL, HLT	GP [GP]	3,5,6,7	76 mm	29-33 / 33-43 / 43-53 mm	6 mm or less
HLP ⚠	V18 [V]	3,5,6,7			
HLT ⚠	GV [GV]	7		29-33 / 33-38 / 38-43 / 43-53 mm	

## Dimensions/Notch (Unit: mm)

(The model No. 6 notch is the same as No. 5 in the illustration. However for No. 3) and 7, there is a mounting hole for the cylinder and thumbturn on one side only.)

### ● V-HL-5NU (backset 76 mm) <Illustration shows a V18 cylinder, NU lever handle. >

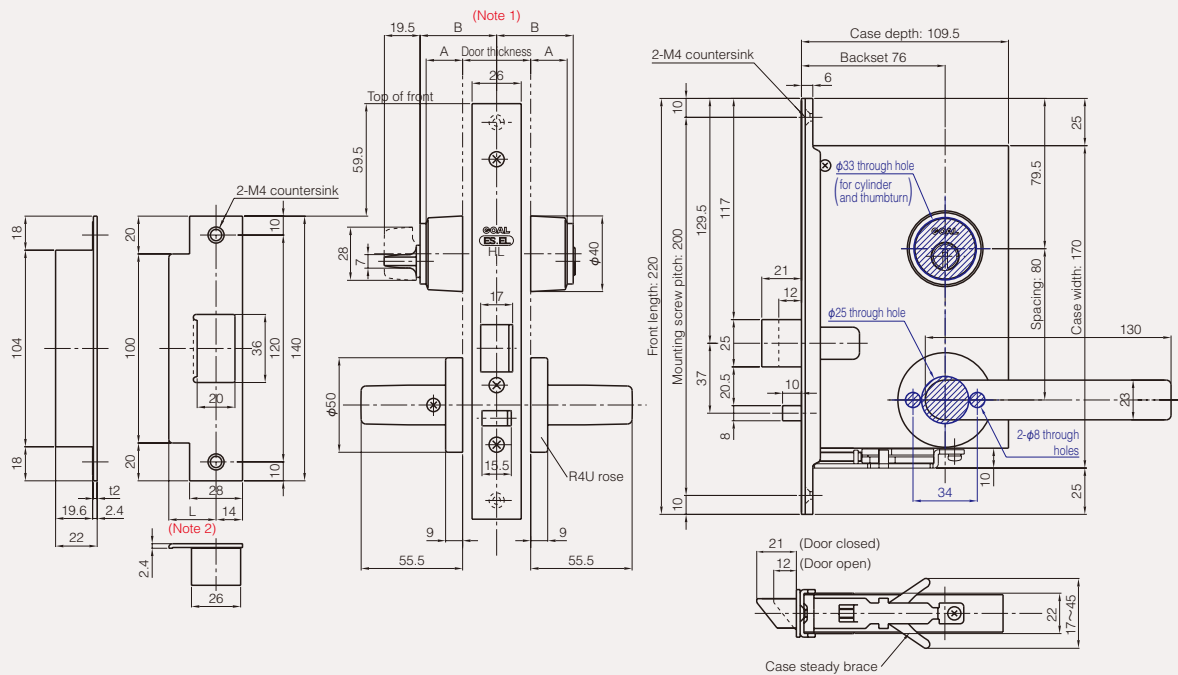
\* The HLT external dimensions are the same.

\* In addition to the NU lever handle shown in the illustration, various other types are available. (Refer to P.88, 89.)

Door thickness: ## mm or more-less than ## mm

## Dimensions A and B for cylinders and thumbturns

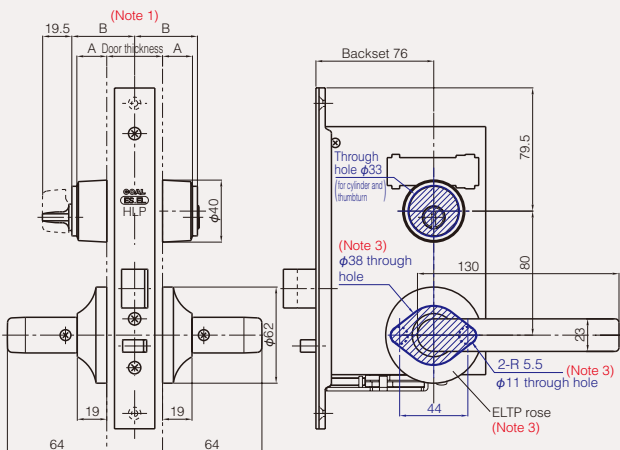
Door thickness (mm)	Dimension (mm)	
	A (Collar height)	B (Cylinder and thumbturn height)
29-43	19.5	38.5
43-53	14.5	38.5
53-63	19.5	48.5
63-73	14.5	48.5
73-83	19.5	58.5



### ● Anti-panic locks V-HLP-5NU (R)

<Illustration shows a V18 cylinder, NU lever handle, R type for right-hinged out-swinging door.>

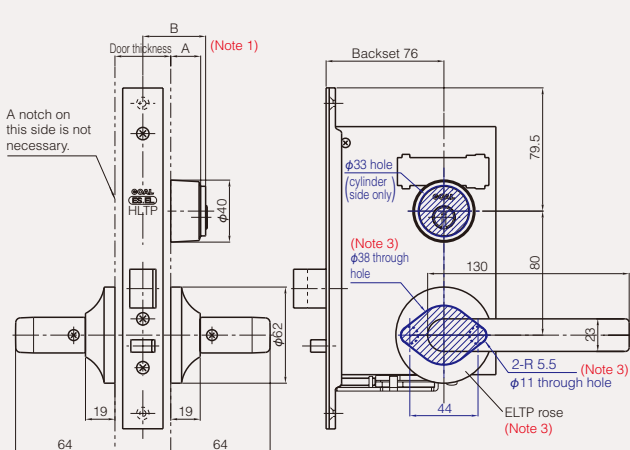
(\* The notch hole is changed.)



### ● Anti-panic type automatic locking locks V-HLTP-7NU (R)

<Illustration shows a V18 cylinder, NU lever handle, R type for right-hinged out-swinging door.>

(\* The notch hole is changed.)



(Dimensions not listed are the same as HL, HLT.)

Note 3: The ELTP rose notch hole is changed to the notch hole for an NK rose of an EU function-switching electric lock. (September 2012)

(Note 2)

## Strike plate lip (L) dimension

For single leaf door ⚠		
Door thickness (minimum-less than) mm	Classification	L dimension (mm)
29-33	20L	20
33-43	25L	25
43-53	30L	30
53-60	33L	33

For double leaf door		
Door thickness (minimum-less than) mm	Classification	L dimension (mm)
29-33	16L	16L
33-37	18L	18L
37-42	20L	20L
43-47	23L	23L
47-51	25L	25L
53-57	28L	28L
57-61	30L	30L

### ⚠ Precautions when selecting a strike plate

The strike plate shown in the table at left is set as standard according to the door thickness, however in the case of a single leaf door and depending on the conditions of the door and frame, the strike plate may protrude by a large amount. Check the conditions of the door and frame, and select a strike plate with the optimal lip (L) dimension from the table so that the amount of strike plate protrusion is not too large.

## Information

Precautions  
Table of contents /  
Product list  
Basic information

## Cylinders Keying systems

## Locks

## Push-pull locks

## Lever handle locks

## Mortise locks

## Integral locks Cylindrical locks

## Rim dead locks

## Dead locks Cremon locks Glass door locks

## Emergency locks Cup handle locks

## Sliding door locks

## Electric locks Security systems

## Ten-key pads

## Key switches Interlock / emergency door systems

## Hotel card locks

## Electric locks

## Electrical conductors, Control boxes

## Dimensions