

Applications Home entrances, etc.

PXK series

⚠ Precautions: Avoid using reinforced wood handles outdoors.

GON type [Aluminum, reinforced wood ⚠] (* For out-swinging doors only)

GOP type [Aluminum, reinforced wood ⚠] (* For out-swinging doors only)



GON 369
Aluminum,
silver coating



GON-C 369
Reinforced wood,
light brown ⚠
Escutcheon:
Aluminum, silver



GON-C 377
Reinforced wood,
light brown ⚠
Escutcheon: Aluminum,
champagne silver



GON-A 80
Reinforced wood,
brown ⚠
Escutcheon:
Aluminum, umber



GON-B 8800
Reinforced wood, dark
brown ⚠
Escutcheon: Aluminum,
black



GOP 369
Aluminum,
silver coating



GOP-C 369
Reinforced wood, light
brown ⚠
Escutcheon: Aluminum,
silver

(* The same five finish types as GON are available.)

PX, PXK series

GOQ type [Aluminum] (* For out-swinging doors only)

GSA type [Aluminum]



GOQ 6600
Aluminum,
metallic silver



GOQ 2740
Aluminum,
metallic gold



GOQ 8800
Aluminum,
black coating



GOQ 3940
Aluminum,
pearl white (Note)



GSA 364
Aluminum,
silver coating



GSA 269
Aluminum,
gold coating



GSA 80
Aluminum,
umber coating



GSA 8800
Aluminum,
black coating

Note: The GOQ 3940 (pearl white) finish is a special specification.

Information

Precautions
Table of contents /
Product list
Basic information

Cylinders
Keying
systems

Locks

Push-pull
locks

Lever
handle
locks

Mortise
locks

Integral
locks
Cylindrical
locks

Rim dead
locks

Dead locks
Cremon
locks
Glass door
locks

Emergency
locks
Cup handle
locks

Sliding
door locks

Electric locks
Security systems

Ten-key
pads

Key switches
Interlock /
emergency
door
systems

Hotel card
locks

Electric
locks

Electrical
conductors,
Control
boxes

Dimensions

**PX, PZ, PL
PVKU, PXY**

List of push-pull lock handles

▼ Information

Precautions
Table of contents /
Product list
Basic information

Cylinders
Keying
systems

▼ Locks

**Push-pull
locks**

Lever
handle
locks

Mortise
locks

Integral
locks
Cylindrical
locks

Rim dead
locks

Dead locks
Cremon
locks
Glass door
locks

Emergency
locks
Cup handle
locks

Sliding
door locks

▼ Electric locks
Security systems

Ten-key
pads

Key switches
Interlock /
emergency
door
systems

Hotel card
locks

Electric
locks

Electrical
conductors,
Control
boxes

Dimensions

Applications Home entrances, etc.

PX, P XK series (The photos show two-lock types. GOE one-lock types are also available.)

GOE type [Aluminum]



GOE 364
Aluminum,
silver coating

GOE 80
Aluminum,
umber coating

GOE 269
Aluminum,
gold coating

GOE 8800
Aluminum,
black coating

**GOH type [Aluminum]
(* For out-swinging doors only)**



GOH 364
Aluminum,
silver coating

* An umber finish is also available.

PZ, P ZK series (The photos show two-lock types. One-lock types are also available.)

GOF type [Aluminum]



GOF 364
Aluminum,
silver coating

GOF 80
Aluminum,
umber coating

GOF 269
Aluminum,
gold coating

* An aluminum, black coating [8800] finish is also available.

PVKU series (one-lock type)

GOR type [Aluminum] (* For out-swinging doors only)



GOR 364
Aluminum,
silver coating

GOR 269
Aluminum,
gold coating

GOR 80
Aluminum,
umber coating

* An aluminum, black coating [8800] finish is also available.

PL, PLK series (one-lock type)

GOVA type [Aluminum, stainless steel]



GOVA 369
Aluminum,
silver coating

GOVA 269
Aluminum,
gold coating

GOVA 11
Dull stainless
steel

* Aluminum, umber coating and aluminum, black coating finishes are also available.

PXY series (passage latches)

(* Use in combination with a dead lock or other lock type.)

**GOT type [Aluminum] ^{B/s} 64 mm
(* For out-swinging doors only)**



GOT 369
Aluminum, silver coating

GOT 269
Aluminum, gold coating

* Aluminum, umber coating and aluminum, black coating finishes are also available.

Applications Home entrances, etc. (Use in combination with a dead lock, electric lock, or other lock type.)

■ Plate handles (* For out-swinging doors only)

GOL type [Aluminum] (B/s 51 mm, 64 mm)



GOL 364
Aluminum, silver coating



GOL 43
Aluminum, alumite silver



GOL 269
Aluminum, gold coating



GOL 24
Aluminum, alumite gold



GOL 8800
Aluminum, black coating



GOL 80
Aluminum, umber coating

GOM type [Aluminum] (B/s 64 mm)



GOM 364
Aluminum, silver coating




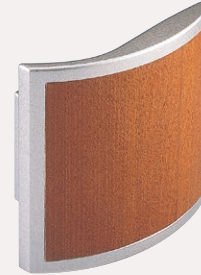
GOM 269
Aluminum, gold coating





GOM 80
Aluminum, umber coating

* An aluminum, black coating [8800] finish is also available.

GMA type [Aluminum]  (B/s 64 mm)



GMA
Aluminum and natural wood cosmetic panel 
Escutcheon: Aluminum, silver coating [364]

 **Because wooden products contain wood parts, avoid using them outdoors.**

GOU type [Aluminum] (B/s 64 mm)



GOU 47
Aluminum, alumite silver



GOU 269
Aluminum, gold coating



GOU 80
Aluminum, umber coating

* Aluminum, silver coating [364] and aluminum, black coating [8800] finishes are also available.

GOX type [Aluminum] (B/s 64 mm)



GOX 364
Aluminum, silver coating



GOX 269
Aluminum, gold coating

* Aluminum, umber coating [80] and aluminum, black coating [8800] finishes are also available.

▼ Information

Precautions
Table of contents /
Product list
Basic information

Cylinders
Keying
systems

▼ Locks

Push-pull
locks

Lever
handle
locks

Mortise
locks

Integral
locks
Cylindrical
locks

Rim dead
locks

Dead locks
Cremon
locks
Glass door
locks

Emergency
locks
Cup handle
locks

Sliding
door locks

▼ Electric locks
Security systems

Ten-key
pads

Key switches
Interlock /
emergency
door
systems

Hotel card
locks

Electric
locks

Electrical
conductors,
Control
boxes

Dimensions

Information

Precautions
Table of contents /
Product list
Basic information

Cylinders
Keying
systems

Locks

Push-pull
locks

Lever
handle
locks

Mortise
locks

Integral
locks
Cylindrical
locks

Rim dead
locks

Dead locks
Cremon
locks
Glass door
locks

Emergency
locks
Cup handle
locks

Sliding
door locks

Electric locks
Security systems

Ten-key
pads

Key switches
Interlock /
emergency
door
systems

Hotel card
locks

Electric
locks

Electrical
conductors,
Control
boxes

Dimensions

Applications

Home entrances, etc. (Use in combination with a dead lock, electric lock, or other lock type.)
(* For out-swinging doors only, however can also be produced for in-swinging doors based on special orders.)

Bar handles (B/s 35 mm, 51 mm, 64 mm)

(Note)
(Note: With B/S35 mm, depending on the conditions of the door and frame, there is the risk that the handle may contact the frame. Be sure to check in advance.)

ARC type [Aluminum]

GOB type [Aluminum, stainless steel]



ARC 23
Aluminum, alumite gold
Escutcheon: Aluminum,
gold coating [269]



ARC 74
Aluminum, antique
Escutcheon: Brass,
antique [74]



ARC 8800
Aluminum,
black coating



GOB 269
Aluminum,
gold coating



GOB 364
Aluminum,
silver coating



GOB 12
Bright stainless steel
Escutcheon: Aluminum,
silver coating [364]

GOF type [Aluminum]

MOA, MOB, MOC types [Reinforced wood] ⚠

⚠ Precautions: Avoid using reinforced wood handles outdoors.



GOF 269
Aluminum, gold coating



GOF 364
Aluminum, silver
coating



MOA
Reinforced wood ⚠,
brown
Escutcheon: Aluminum,
umber coating [80]



MOB
Reinforced wood ⚠,
dark brown
Escutcheon: Aluminum,
black coating [8800]



MOC
Reinforced wood ⚠,
light brown
Escutcheon: Aluminum,
champagne silver [377]

* Umber coating [80] is also available.

* In addition to the above PY handles, an EGL type is also available.

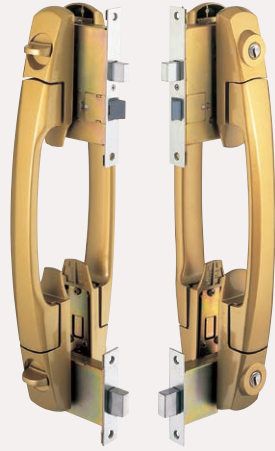
Applications Home entrances, main entrances, etc. (* GOH, GON, GOP, and GOQ are for out-swinging doors only.)

• **V-PXK SK-5 GOE364(R)** (hooked deadbolt)
(Photo shows a V18 cylinder, GOE handle, silver finish, R-hand type.)

• **V-PX GDT-5 GOE 269(R)**
(Photo shows a V18 cylinder, GOE handle, gold finish, R-hand type.)



• **V-PXK SK-5 GON-C369(R)**
(Photo shows a GON handle, reinforced wood, silver, R-hand type.)
(Avoid using reinforced wood handles outdoors.)



Grip handle-type push-pull locks delivering superior security, operability, and stylish designs

Features

- Double-lock type push-pull locks for superior security
- PXK uses a hooked deadbolt.

- TM thumbturns and TME and TMB security thumbturns are also available. These can prevent the thumbturn from being turned via a hole from outside the door. (Option) (Refer to P.5 for details.)

* Some handles can be used with in-swinging doors. (Refer to the table below.)

Specifications (Door thickness: ## mm or more-less than ## mm)

Backset	64 mm	
Door thicknesses (Contact GOAL for more information.)	31~34 / 34~37 / 37~40 / 40~43 mm	
Gap (door and jamb)	6 mm or less	
Hand	GOE handle GSA handle	R type (for right-hinged out-swinging door), L type (for left-hinged out-swinging door) UR type (for right-hinged in-swinging door), UL type (for left-hinged in-swinging door)
	GON handle GOP handle GOH handle GOQ handle	R type (for right-hinged out-swinging door), L type (for left-hinged out-swinging door)
Cylinder [symbol] (Note)	GOE handle GOH handle	V18 [V], GV [GV], GP [GP] 6 pins [P], 7 pins [Z]
	GSA handle	V18 [V], GV [GV], GP [GP]
	GON handle GOP handle GOQ handle	V18 [V], GV [GV]

Note: Production of new master key plans for 6-pin and 7-pin cylinders discontinued as of March 2017.

Thumbturn	GOE handle GOH handle GSA handle	Standard type thumbturn (TM, TME, and TMB thumbturns are available as options.)
	GON handle GOP handle GOQ handle	TM type (standard specifications) (TME and TMB thumbturns are available as options.)
Key systems	Various key systems available (MK, GMK, RMK, CNK, etc.) (V18, GV: Optional key change system available) (GV except for GOH handles: Optional Universal Key System (UKS2) available)	
Handle design and finish	GOE, GOH, GON, GOP, GOQ, GSA types Various finishes are available. Refer to P.17, 18.	

Corresponding table (Illustration)

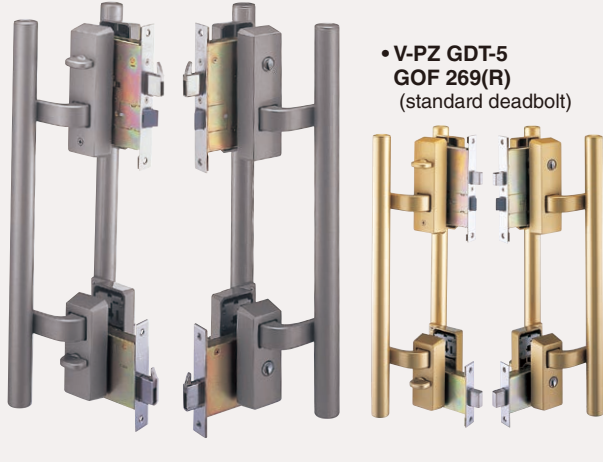
R type	Right-hinged, out-swinging door	L type	Left-hinged, out-swinging door
	UR type		Left-hinged, in-swinging door

**PZK
PZ**

Bar handle-type push-pull locks
PZK SK-5 GOF (hooked deadbolt), **PZ GDT-5GOF**

Applications Home entrances, main entrances, etc.

- **V-PZK SK-5 GOF 364(R)** (hooked deadbolt)
(Photo shows a V18 cylinder, GOF handle, silver finish, R-hand type.)



- **V-PZ GDT-5 GOF 269(R)** (standard deadbolt)

Bar handle-type push-pull locks delivering superior security and operability (PZK has a hooked deadbolt.)

Features

- Double-lock type push-pull locks for superior security
- PZK uses a hooked deadbolt as a crowbar countermeasure.
- TM thumbturns and TME and TMB security thumbturns are also available. These can prevent the thumbturn from being turned via a hole from outside the door. (Option) (Refer to P.5 for details.)

Specifications (Door thickness: ## mm or more~less than ## mm)

Backset	64 mm
Door thicknesses (Contact GOAL for more information.)	V18, GV, GP cylinders: 36~38 / 38~41 / 41~44 mm 6-pin, 7-pin cylinders: 31~34 / 34~37 / 37~40 / 40~43 mm
Gap (door and jamb)	6 mm or less
Hand	R type (for right-hinged out-swinging door), L type (for left-hinged out-swinging door) UR type (for right-hinged in-swinging door), UL type (for left-hinged in-swinging door)
Cylinder [symbol] (Note)	V18 [V], GV [GV], GP [GP], 6 pins [P], 7 pins [Z]
Thumbturn	Standard type thumbturn (TM, TME, and TMB thumbturns are also available as options.) (Refer to P.5 for details.)
Key systems	Various key systems available (MK, GMK, RMK, CNK, etc.) (V18, GV: Optional key change system available) (GV: Optional Universal Key System (UKS2) available) With UKS2, the escutcheon shape is different.)
Handle design and finish (Refer to P.18 for details.)	GOF type (aluminum) Silver coating (364) Gold coating (269) Umber coating (80) Black coating (8800)

PZK and PZ corresponding table (Illustration)

R type	Right-hinged, out-swinging door 	L type	Left-hinged, out-swinging door
UR type	Right-hinged, in-swinging door 	UL type	Left-hinged, in-swinging door

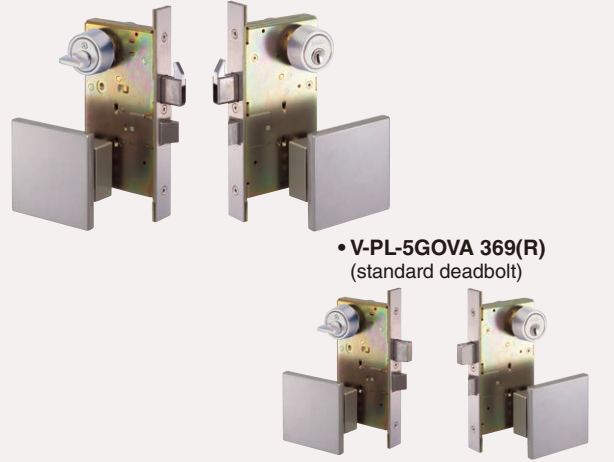
Note: Production of new master key plans for 6-pin and 7-pin cylinders discontinued as of March 2017.

**PLK
PL**

Plate handle-type push-pull locks (one-lock type)
PLK-5GOVA (hooked deadbolt), **PL-5GOVA** (standard deadbolt)

Applications Home entrances, main entrances, etc.

- **V-PLK-5GOVA 369(R)** (hooked deadbolt)
(Photo shows a V18 cylinder, GOVA handle, silver finish, R-hand type.)



- **V-PL-5GOVA 369(R)** (standard deadbolt)

Plate handle, one-lock type push-pull locks delivering superior operability, and developed for the ultimate in cost performance (PLK has a hooked deadbolt.)

Specifications (Door thickness: ## mm or more~less than ## mm)

Model	PLK (hooked deadbolt)	PL (standard deadbolt)
Backset	64 mm	
Door thicknesses (Contact GOAL for more information.)	29~33 / 33~38 / 38~43 / 43~48 / 48~53 mm	
Gap (door and jamb)	6 mm or less	
Hand	R type (for right-hinged out-swinging or right-hinged in-swinging door), L type (for left-hinged out-swinging or left-hinged in-swinging door)	
Cylinder [symbol] (Note)	V18 [V], GV [GV], GP [GP], 6 pins [P], 7 pins [Z]	
Thumbturn	Standard type thumbturn (TM, TME, and TMB thumbturns are also available as options.) (Refer to P.5 for details.)	
Handle design and finish	GOVA type (aluminum) (coating finish) GOVA type (stainless steel)	Silver (369), gold (269), umber (80), black (8800) Dull finish (11)
Model No.	PLK, PL-3, 5, 6, 7	

Note: Production of new master key plans for 6-pin and 7-pin cylinders discontinued as of March 2017.

Lock handing	Corresponding table (Illustration)	
R type	Right-hinged, out-swinging 	Right-hinged, in-swinging
L type	Left-hinged, out-swinging 	Left-hinged, in-swinging

PVKU

Plate handle-type push-pull locks PVKU-5 GOR (one-lock type, hooked deadbolt)

Applications Home entrances, main entrances, etc.
(* For out-swinging doors only.)

- **V-PVKU-5 GOR 364TM(R)** (one-lock type)
(Photo shows a V18 cylinder, GOR handle, silver finish, TM thumbturn, R-hand type.)



Plate handle, one-lock type push-pull locks delivering superior operability

Specifications (Door thickness: ## mm or more~less than ## mm)

Backset	64 mm
Door thicknesses (Contact GOAL for more information.)	31~34 / 34~37 / 37~40 / 40~43 mm
Gap (door and jamb)	6 mm or less
Hand	R type (for right-hinged out-swinging door), L type (for left-hinged out-swinging door) * For out-swinging doors only
Cylinder [symbol]	V18 [V], GV [GV]
Thumbturn	TM type (standard) (TME and TMB thumbturns are available as options.) (Refer to P.5.)
Handle (Refer to P.18.)	GOR type (aluminum: silver, gold, umber, black)

PXY & LDK

Push-pull passage latch PXY & dead lock LDK (hooked deadbolt)

Applications Home entrances, main entrances, etc.
(* For out-swinging doors only.)

- **Dead lock V-LDK-5 369** (hooked deadbolt)
(Photo shows a V18 cylinder, silver finish.)



- **Push-pull passage latch PXY-GOT 369**
(Photo shows a GOT handle, silver finish.)



(* Two dead locks are used, at top and bottom.)

Combination of PXY push-pull passage latch delivering excellent stylish design and operability together with dead locks for superior security

Features

- The handle of the PXY push-pull passage latch was designed for easy operation.
- The LDK dead locks used for the double locks have hooked deadbolts that prevent illegal unlocking with a crowbar.
- LDK dead locks are available with TM thumbturns and TME and TMB security thumbturns that are resistant to attempts at turning the thumbturn via a hole from outside the door. (Option) (Refer to P.5 for details.)

Specifications (Door thickness: ## mm or more~less than ## mm)

Push-pull passage latch PXY-GOT

Backset	64 mm	
Door thicknesses (Contact GOAL for more information.)	31~34 / 34~37 / 37~43 mm	
Gap (door and jamb)	6 mm or less	
Handle design and finish	GOT type (aluminum) (coating finish)	Silver (369), gold (269), umber (80), black (8800)

Dead locks

Model	LDK (hooked deadbolt)
Backset	64 mm, 76 mm
Door thicknesses	29~43 / 43~53 mm
Gap (door and jamb)	6 mm or less
Cylinder [symbol] (Note)	V18 [V], GV [GV], GP [GP], 6 pins [P], 7 pins [Z]
Key systems	Various key systems available (MK, GMK, RMK, CNK, etc.) (V18, GV: Optional key change system available) (GV: Optional Universal Key System (UKS2) available)

Note: Production of new master key plans for 6-pin and 7-pin cylinders discontinued as of March 2017.

▼ Information

Precautions
Table of contents /
Product list
Basic information

Cylinders
Keying
systems

▼ Locks

Push-pull
locks

Lever
handle
locks

Mortise
locks

Integral
locks
Cylindrical
locks

Rim dead
locks

Dead locks
Cremon
locks
Glass door
locks

Emergency
locks
Cup handle
locks

Sliding
door locks

▼ Electric locks
Security systems

Ten-key
pads

Key switches
Interlock /
emergency
door
systems

Hotel card
locks

Electric
locks

Electrical
conductors,
Control
boxes

Dimensions

PY & LDK

<Example of use in combination with dead lock>
Push-pull passage latch PY & dead lock LDK (hooked deadbolt)

Applications Home entrances, etc. (* For out-swinging doors only, however can also be produced for in-swinging doors based on special orders.)

- **Dead lock V-LDK-5 364** (hooked deadbolt)
 (Photo shows a V18 cylinder, silver finish.)



- **Push-pull passage latch PY-GOM 364**
 (Photo shows a GOM handle, silver finish.)



(* Two dead locks are used, at top and bottom.)

Combination of PY push-pull passage latch delivering excellent stylish design and operability together with dead locks for superior security

Features

- The handle of the PY push-pull passage latch is easy to operate and available in a wide variety of designs.
- The LDK dead locks used for the double locks have hooked deadbolts that prevent illegal unlocking with a crowbar.
- LDK dead locks are available with TM thumbturns that are resistant to attempts at turning the thumbturn via a hole from outside the door, as well as with TME and TMB security thumbturns.
 (Option) (Refer to P.5 for details.)

Specifications (Door thickness: ## mm or more~less than ## mm)

Push-pull passage latch PY-□□□□	
Backset	64 mm
Door thicknesses (Contact GOAL for more information.)	28~33 / 33~38 / 38~43 / 43~48 / 48~53 mm
Gap (door and jamb)	6 mm or less
Handle	Various types are available. (Refer to P.19, 20 for details.)

Dead locks

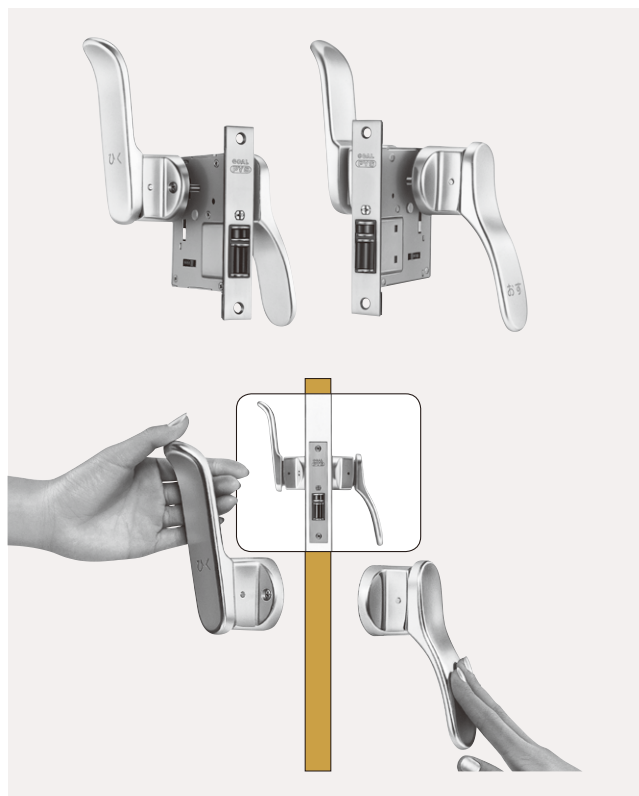
Model	LDK (hooked deadbolt)
Backset	64 mm, 76 mm
Door thicknesses (Contact GOAL for more information.)	29~43 / 43~53 mm
Gap (door and jamb)	6 mm or less
Cylinder [symbol] (Note)	V18 [V], GV [GV], GP [GP], 6 pins [P], 7 pins [Z]
Key systems	Various key systems available (MK, GMK, RMK, CNK, etc.) (V18, GV: Optional key change system available) (GV: Optional Universal Key System (UKS2) available)

Note: Production of new master key plans for 6-pin and 7-pin cylinders discontinued as of March 2017.

PYS

Muffled type push-pull passage latches PYS

Applications Hospitals, broadcast rooms, interior partitions, etc.



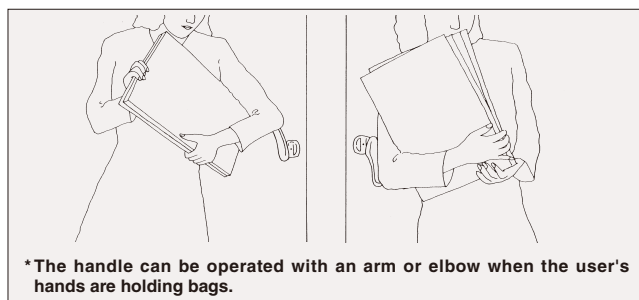
Push-pull passage latches with muffling function

Features

- Doors can be opened simply by pressing (or pulling) the handle.
- The lock itself also contains sound-absorbing material. The operating sound and door open/close sound are both extremely quiet.
- The design contains special improvements for excellent handle operability. The shape was designed so that the handle can be operated with an arm or elbow when the user's hands are holding bags.
- The latching roller includes a special mechanism that prevents the door from being unintentionally opened by wind pressure or other cause.
- The amount of latch protrusion can be adjusted according to the door gap even after the lock is installed.

Specifications (Door thickness: ## mm or more~less than ## mm)

Backset	64 mm
Door thicknesses	28~35 / 35~42 / 42~49 mm (Contact GOAL for more information.)
Gap (door and jamb)	8 mm or less



* The handle can be operated with an arm or elbow when the user's hands are holding bags.

Information

Precautions
 Table of contents /
 Product list
 Basic information

Cylinders
 Keying
 systems

Locks

Push-pull
 locks

Lever
 handle
 locks

Mortise
 locks

Integral
 locks
 Cylindrical
 locks

Rim dead
 locks

Dead locks
 Cremon
 locks
 Glass door
 locks

Emergency
 locks
 Cup handle
 locks

Sliding
 door locks

Electric locks
 Security systems

Ten-key
 pads

Key switches
 Interlock /
 emergency
 door
 systems

Hotel card
 locks

Electric
 locks

Electrical
 conductors,
 Control
 boxes

Dimensions

Backset	Door thickness (Contact GOAL for more information.)	Gap (door and jamb)
51 mm (GOL type only)	28-33 / 33-38 / 38-43 / 43-48 /	6 mm or less
64 mm	48-53 mm	

▼ Information

Precautions
Table of contents /
Product list
Basic information

Cylinders
Keying
systems

▼ Locks

Push-pull
locks

Lever
handle
locks

Mortise
locks

Integral
locks
Cylindrical
locks

Rim dead
locks

Dead locks
Cremon
locks
Glass door
locks

Emergency
locks
Cup handle
locks

Sliding
door locks

▼ Electric locks
Security systems

Ten-key
pads

Key switches
Interlock /
emergency
door
systems

Hotel card
locks

Electric
locks

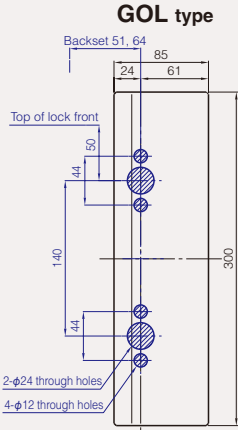
Electrical
conductors,
Control
boxes

Dimensions

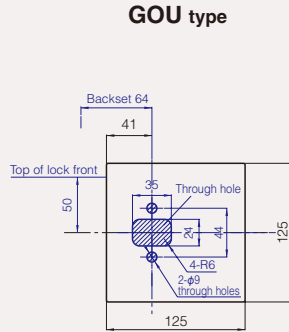
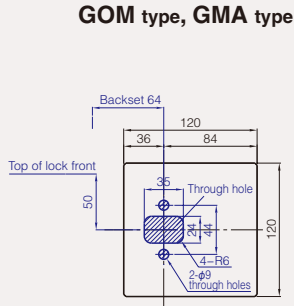
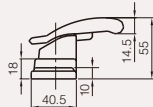
■ Dimensions/Notch (Unit: mm)

Door thickness: ## mm or more-less than ## mm

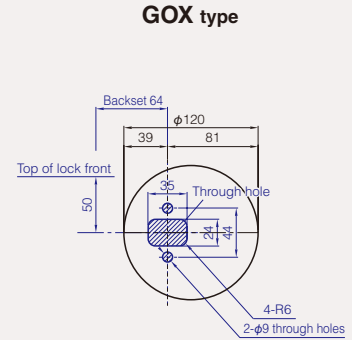
● PY handles (plate handles)



(Notch dimensions are the same as the ARC type.)



(Notch dimensions are the same as the GOM type.)



(Notch dimensions are the same as the GOM type.)

Information

Precautions
Table of contents /
Product list
Basic information

Cylinders
Keying
systems

Locks

Push-pull
locks

Lever
handle
locks

Mortise
locks

Integral
locks
Cylindrical
locks

Rim dead
locks

Dead locks
Cremon
locks
Glass door
locks

Emergency
locks
Cup handle
locks

Sliding
door locks

Electric locks
Security systems

Ten-key
pads

Key switches
Interlock /
emergency
door
systems

Hotel card
locks

Electric
locks

Electrical
conductors,
Control
boxes

Dimensions

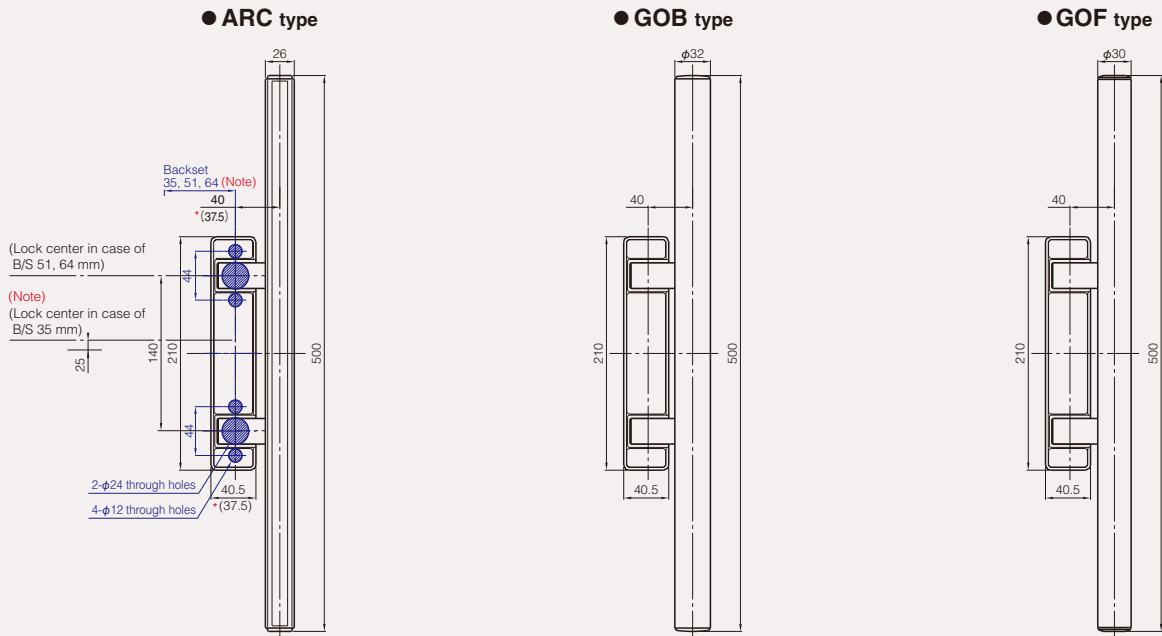
Backset	Door thickness (Contact GOAL for more information.)	Cap (door and jamb)
(Note) 35, 51, 64 mm	28~33 / 33~38 / 38~43 / 43~48 / 48~53 mm	6 mm or less

Door thickness: ## mm or more~less than ## mm

Dimensions/Notch (Unit: mm)

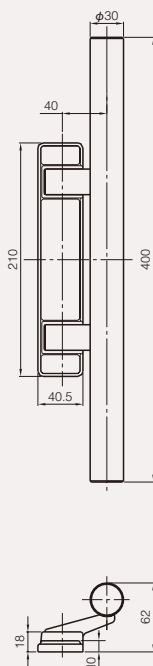
● PY handles (bar handles) (* Can be used with backset 35 mm, 51 mm, or 64 mm.)
(* Bar handle notch dimensions are all the same as the ARC type.)

Note: Be aware that when used with backset 35 mm, the locks and notches are different from backset 51 mm and 64 mm.



* The ARC handle escutcheon is aluminum or brass.
Dimensions in () indicate the dimensions for a brass handle.

● MOA, MOB, MOC type



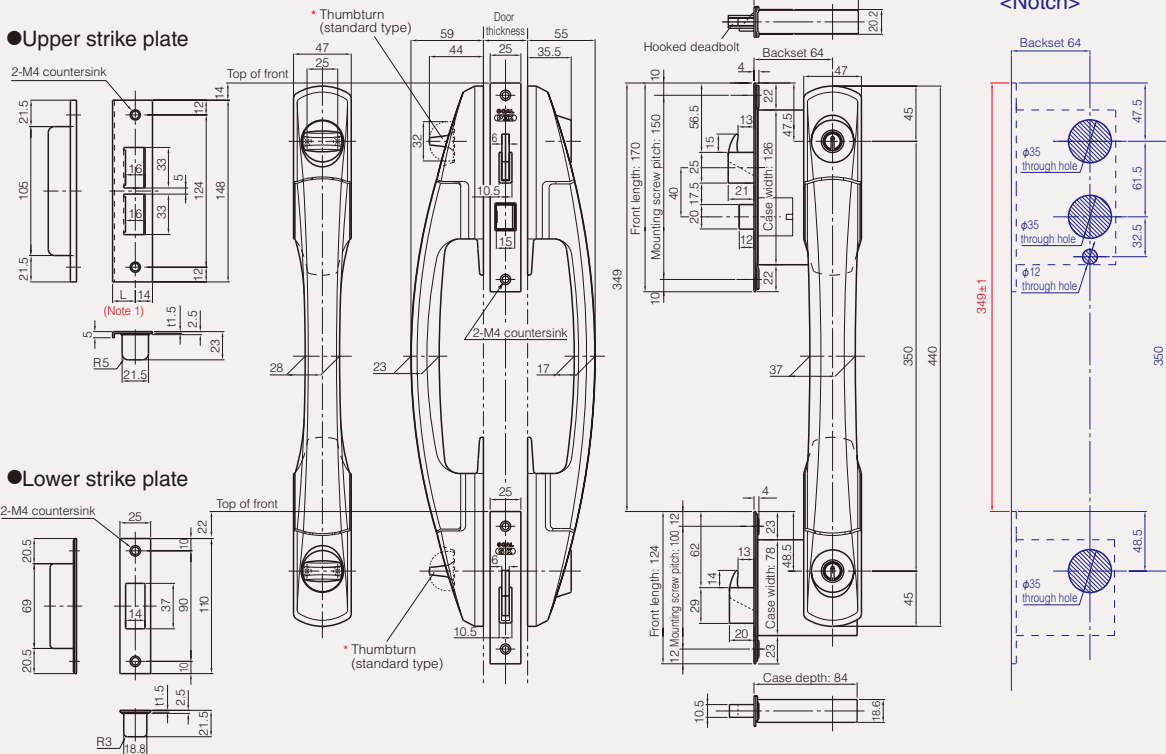
Compatible cylinders	Model No.	Handle	Hand *	Backset	Door thickness (Contact GOAL for more information)
V18 [V] GV [GV] GP [GP]	6 pins [P] 7 pins [Z]	5	GOE, GOH	R L UR UL	31-34 / 34-37 / 37-40 / 40-43 mm (gap 6 mm or less)
V18 [V] GV [GV]			GOQ	R L	

Dimensions/Notch (Unit: mm)

Door thickness: ## mm or more-less than ## mm

● V-PXK SK-5 GOE(R) <Illustration shows V18 cylinder, GOE handle, R type for right-hinged out-swinging door.>

* In addition to standard type thumbturns, TM and TME security thumbturns are also available.



(Note 1)

Strike plate lip (L) dimension

For single leaf door			For double leaf door		
Door thickness (minimum-less than)mm	Classification	L dimension (mm)	Door thickness (minimum-less than)mm	Classification	L dimension (mm)
31-34	20.5L	20.5	31-34	18.5L	18.5
34-40	22.5L	22.5	34-38	20.5L	20.5
40-43	24.5L	24.5	38-42	22.5L	22.5
			42-43	24.5L	24.5

* Indicate the door thickness when ordering.

⚠ Precautions when selecting a strike plate

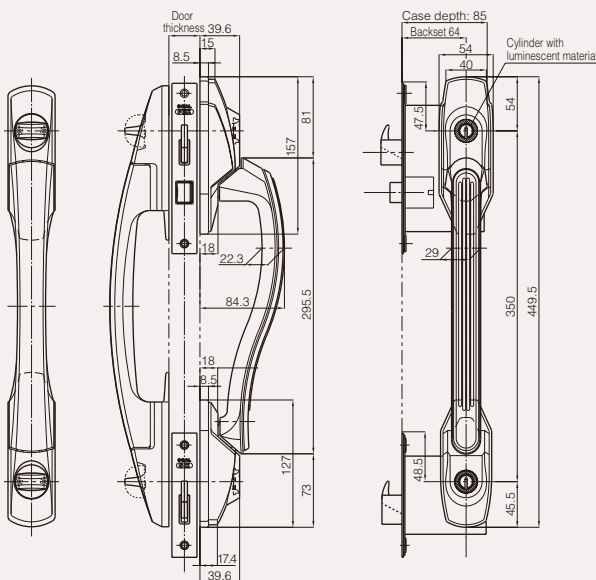
The strike plate shown in the table at left is set as standard according to the door thickness, however in the case of a single leaf door and depending on the conditions of the door and frame, the strike plate may protrude by a large amount. Check the conditions of the door and frame, and select a strike plate with the optimal lip (L) dimension from the table so that the amount of strike plate protrusion is not too large.

● V-PXK SK-5 GOH(R) (* For out-swinging doors only)

<Illustration shows V18 cylinder, GOH handle, R type for right-hinged out-swinging door, cylinder with luminescent material.>

* The inside handle is a GOE type.

* Dimensions not listed are the same as the illustration above.

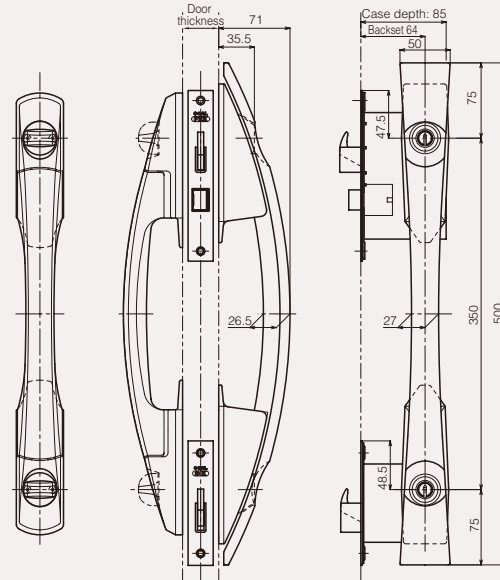


● V-PXK SK-5 GOQ(R) (* For out-swinging doors only)

<Illustration shows V18 cylinder, GOQ handle, R type for right-hinged out-swinging door.>

* The inside handle is a GOE type.

* Dimensions not listed are the same as the illustration above.



PXK Push-pull locks

PXK SK-5 GON, GOP

Information

Precautions
Table of contents /
Product list
Basic information

Cylinders
Keying
systems

Locks

Push-pull
locks

Lever
handle
locks

Mortise
locks

Integral
locks
Cylindrical
locks

Rim dead
locks

Dead locks
Cremon
locks
Glass door
locks

Emergency
locks
Cup handle
locks

Sliding
door locks

Electric locks
Security systems

Ten-key
pads

Key switches
Interlock /
emergency
door
systems

Hotel card
locks

Electric
locks

Electrical
conductors,
Control
boxes

Dimensions

Compatible cylinders	Model No.	Hand	Backset	Door thickness (Contact GOAL for more information.)
V18 [V] GV [GV]	5	R L	64 mm	31~34 / 34~37 / 37~40 / 40~43 mm (gap 6 mm or less)

Door thickness: ## mm or more- less than ## mm

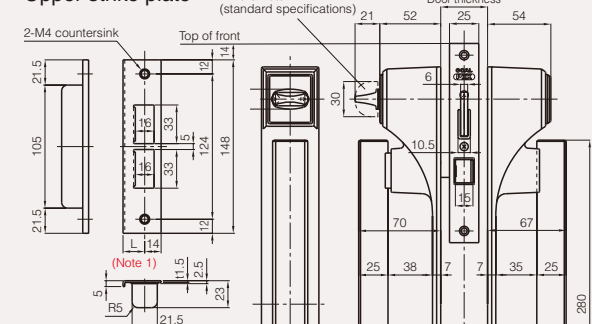
Dimensions/Notch (Unit: mm)

● V-PXK SK-5 GON (R) (* For out-swinging doors only)

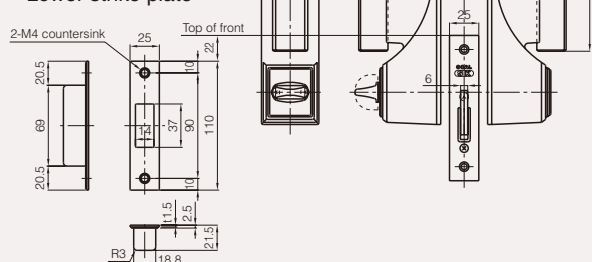
<Illustration shows V18 cylinder, GON handle, R type for right-hinged out-swinging door.>

* In addition to TM thumbturns, TME, TMB, and TMK security thumbturns are also available.

● Upper strike plate



● Lower strike plate



(Note 1)

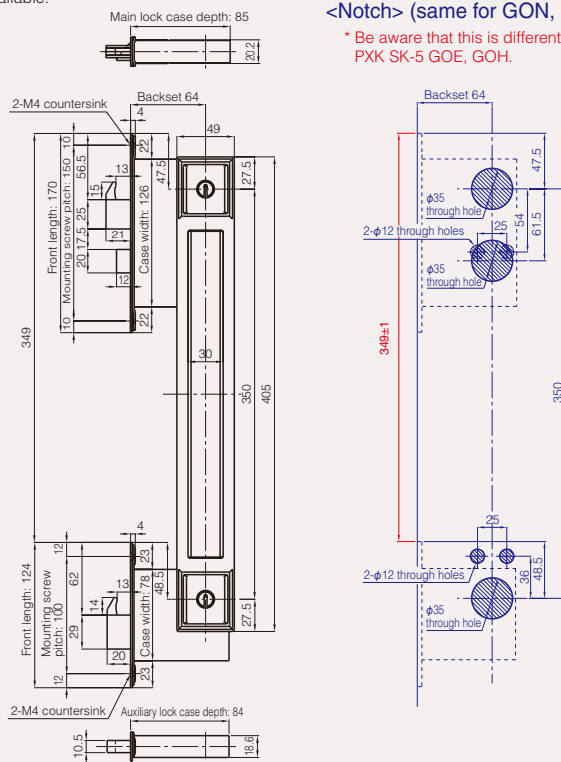
■ Strike plate lip (L) dimension

For single leaf door			For double leaf door		
Door thickness (minimum-less than)mm	Classification	L dimension (mm)	Door thickness (minimum-less than)mm	Classification	L dimension (mm)
31~34	20.5L	20.5	31~34	18.5L	18.5
34~40	22.5L	22.5	34~38	20.5L	20.5
40~43	24.5L	24.5	38~42	22.5L	22.5
			42~43	24.5L	24.5

* Indicate the door thickness when ordering.

<Notch> (same for GON, GOP types)

* Be aware that this is different from PXK SK-5 GOE, GOH.



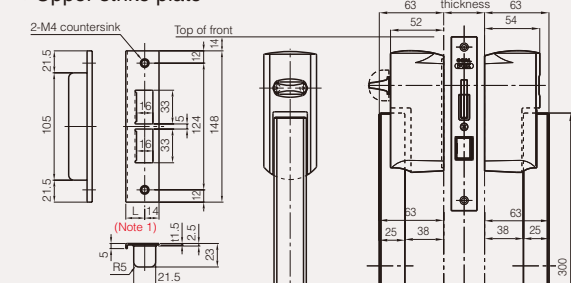
⚠ Precautions when selecting a strike plate

The strike plate shown in the table at left is set as standard according to the door thickness, however in the case of a single leaf door and depending on the conditions of the door and frame, the strike plate may protrude by a large amount. Check the conditions of the door and frame, and select a strike plate with the optimal lip (L) dimension from the table so that the amount of strike plate protrusion is not too large.

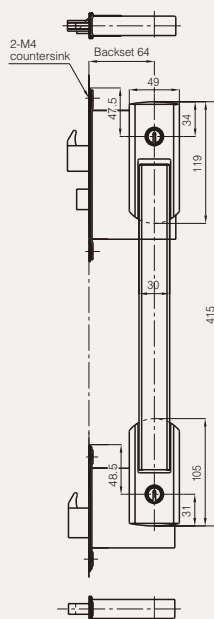
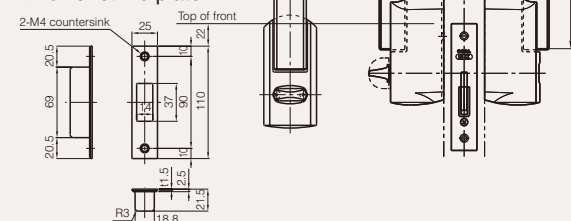
● V-PXK SK-5 GOP (R) (* For out-swinging doors only) <Illustration shows V18 cylinder, GOP handle, R type for right-hinged out-swinging door.>

* Dimensions not listed are the same as above except for the different handle.

● Upper strike plate



● Lower strike plate



(* GOH handles are for out-swinging doors only.)

Compatible cylinders	Model No.	Hand	Backset	Door thickness (Contact GOAL for more information)
V18 [V] GV [GV] GP [GP]	6 pins [P] 7 pins [Z]	5	R L UR UL	64 mm 31-34 / 34-37 / 37-40 / 40-43 mm (gap 6 mm or less)

Information

Precautions
Table of contents /
Product list
Basic information

Cylinders
Keying
systems

Locks

Push-pull
locks

Lever
handle
locks

Mortise
locks

Integral
locks
Cylindrical
locks

Rim dead
locks

Dead locks
Cremon
locks
Glass door
locks

Emergency
locks
Cup handle
locks

Sliding
door locks

Electric locks
Security systems

Ten-key
pads

Key switches
Interlock /
emergency
door
systems

Hotel card
locks

Electric
locks

Electrical
conductors,
Control
boxes

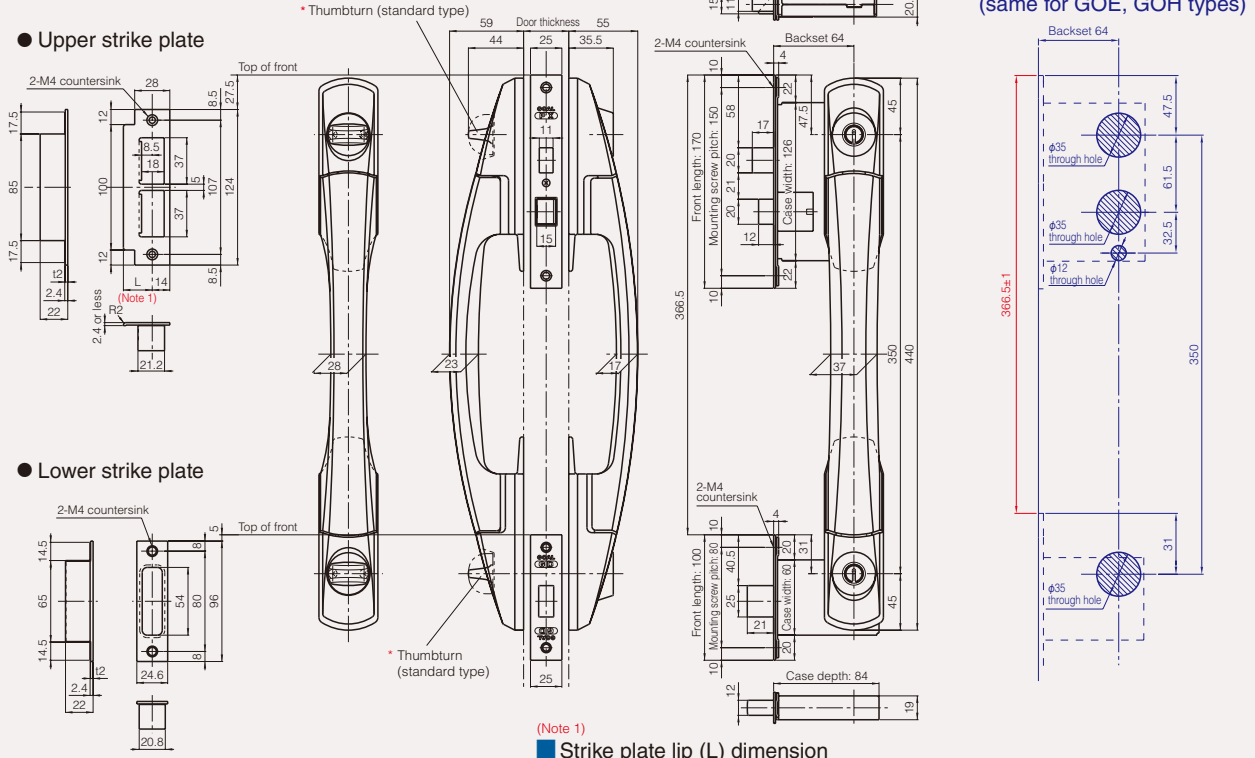
Dimensions

Dimensions/Notch (Unit: mm)

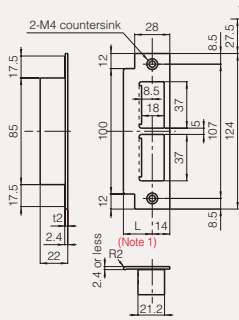
Door thickness: ## mm or more-less than ## mm

V-PX GDT-5 GOE(R) <Illustration shows V18 cylinder, GOE handle, R type for right-hinged out-swinging door.>

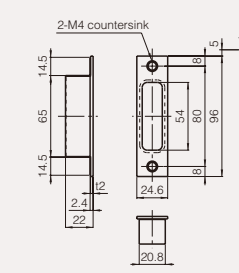
* In addition to standard type thumbturns, TM and TME security thumbturns are also available.



Upper strike plate



Lower strike plate



Precautions when selecting a strike plate

The strike plate shown in the table at right is set as standard according to the door thickness, however in the case of a single leaf door and depending on the conditions of the door and frame, the strike plate may protrude by a large amount.

Check the conditions of the door and frame, and select a strike plate with the optimal lip (L) dimension from the table so that the amount of strike plate protrusion is not too large.

(Note 1)

Strike plate lip (L) dimension

For single leaf door			For double leaf door		
Door thickness (minimum-less than)mm	Classification	L dimension (mm)	Door thickness (minimum-less than)mm	Classification	L dimension (mm)
31-34	20L	20	31-37	18L	18
34-40	23L	23	37-42	20L	20
40-43	25L	25	42-43	23L	23

* Indicate the door thickness when ordering.

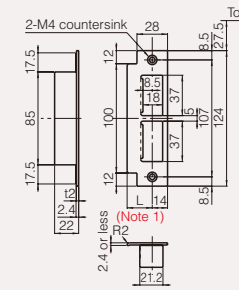
V-PX GDT-5 GOH (R) (* For out-swinging doors only)

<Illustration shows V18 cylinder, GOH handle, R type for right-hinged out-swinging door, cylinder with luminescent material.>

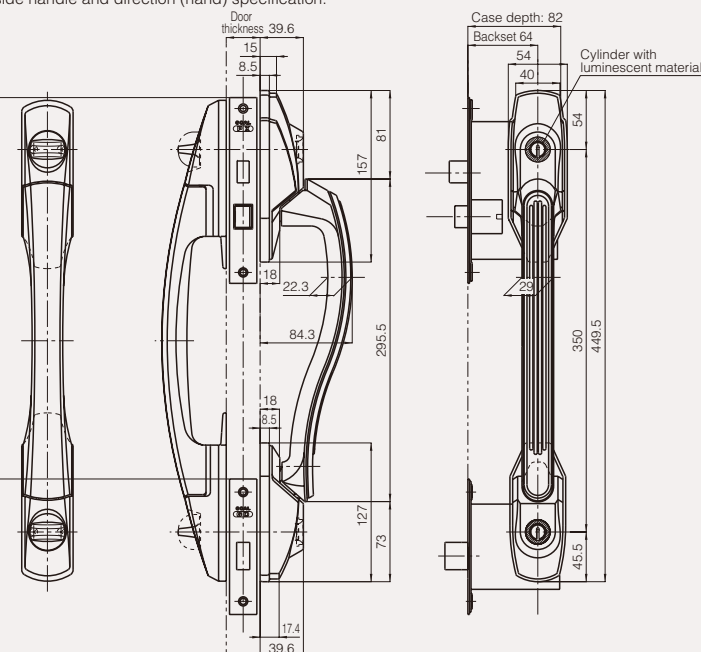
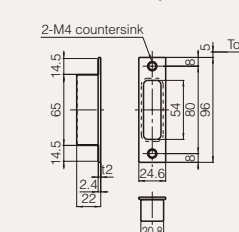
* When a GOH handle is used, the inside handle is a GOE type.

* Same as above except for the different inside handle and direction (hand) specification.

Upper strike plate



Lower strike plate



Compatible cylinders	Model No.	Hand	Backset	Door thickness (Contact GOAL for more information.)	Gap (door and jamb)	
V18 [V] GV [GV] GP [GP]	6 pins [P] 7 pins [Z]	3, 5 6, 7	R type L type	64 mm	29-33 / 33-38 / 38-43 / 43-48 / 48-53 mm	6 mm or less

Information

Precautions
Table of contents /
Product list
Basic information

Cylinders
Keying
systems

Locks

Push-pull
locks

Lever
handle
locks

Mortise
locks

Integral
locks
Cylindrical
locks

Rim dead
locks

Dead locks
Cremon
locks
Glass door
locks

Emergency
locks
Cup handle
locks

Sliding
door locks

Electric locks
Security systems

Ten-key
pads

Key switches
Interlock /
emergency
door
systems

Hotel card
locks

Electric
locks

Electrical
conductors,
Control
boxes

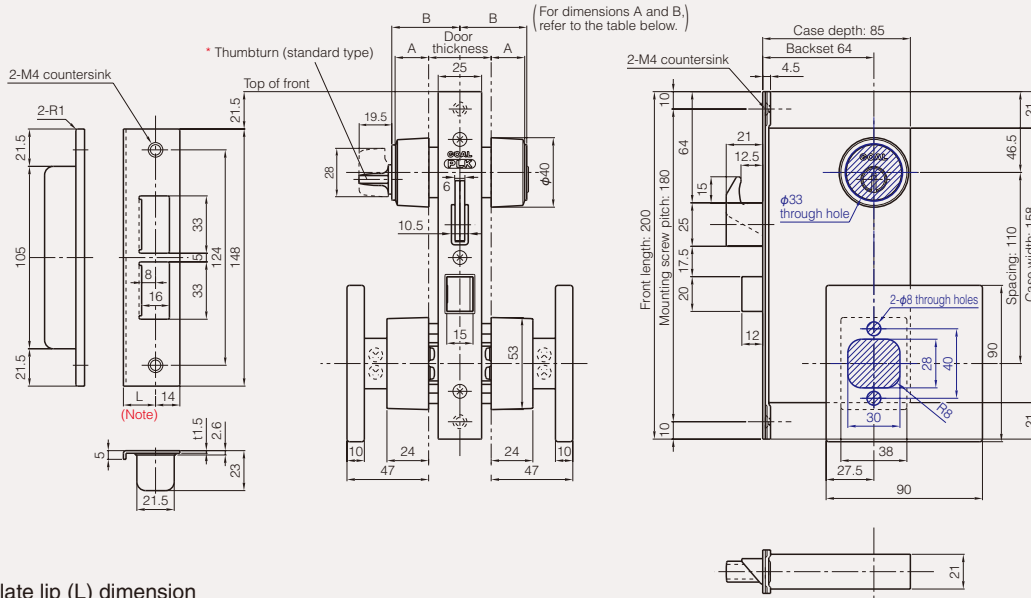
Dimensions

Dimensions/Notch (Unit: mm)

Door thickness: ## mm or more-less than ## mm

V-PLK-5 GOVA (R) <Illustration shows V18 cylinder, GOVA handle, R type for right-hinged out-swinging door.>

* In addition to the standard type thumbturn shown in the illustration, various other types are available.



(Note)

Strike plate lip (L) dimension

For single leaf door			For double leaf door		
Door thickness (minimum-less than)mm	Classification	L dimension (mm)	Door thickness (minimum-less than)mm	Classification	L dimension (mm)
29-33	20.5L	20.5	29-33	18.5L	18.5
33-38	22.5L	22.5	33-38	20.5L	20.5
38-42	24.5L	24.5	38-42	22.5L	22.5
			42-43	24.5L	24.5

* Indicate the door thickness when ordering.

Precautions when selecting a strike plate

The strike plate shown in the table above is set as standard according to the door thickness, however in the case of a single leaf door and depending on the conditions of the door and frame, the strike plate may protrude by a large amount.

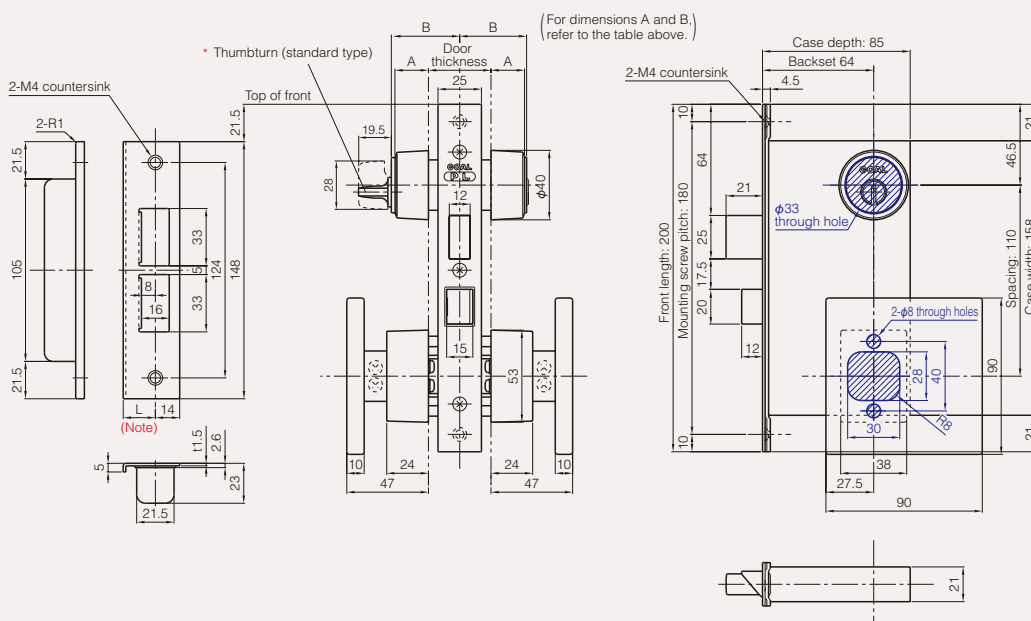
Check the conditions of the door and frame, and select a strike plate with the optimal lip (L) dimension from the table so that the amount of strike plate protrusion is not too large.

Dimensions A and B for cylinders and thumbturns (mm)

Door thickness (mm)	Dimension (mm)	
	A (Collar height)	B (Cylinder and thumbturn height)
29-43	19.5	38.5
43-53	14.5	38.5
53-63	19.5	48.5
63-73	14.5	48.5
73-83	19.5	58.5

V-PL-5 GOVA(R) <Illustration shows V18 cylinder, GOVA handle, R type for right-hinged out-swinging door.>

* Thumbturn, direction (hand), cylinders, thumbturn dimensions A and B, and other characteristics are the same as above.



PVKU Push-pull locks

PVKU-5 GOR

Compatible cylinders	Model No.	Hand	Backset	Door thickness (Contact GOAL for more information.)	Gap (door and jamb)
V18[V] GV[GV]	5	R L	64 mm	31~34 / 34~37 / 37~40 / 40~43 mm	6 mm or less

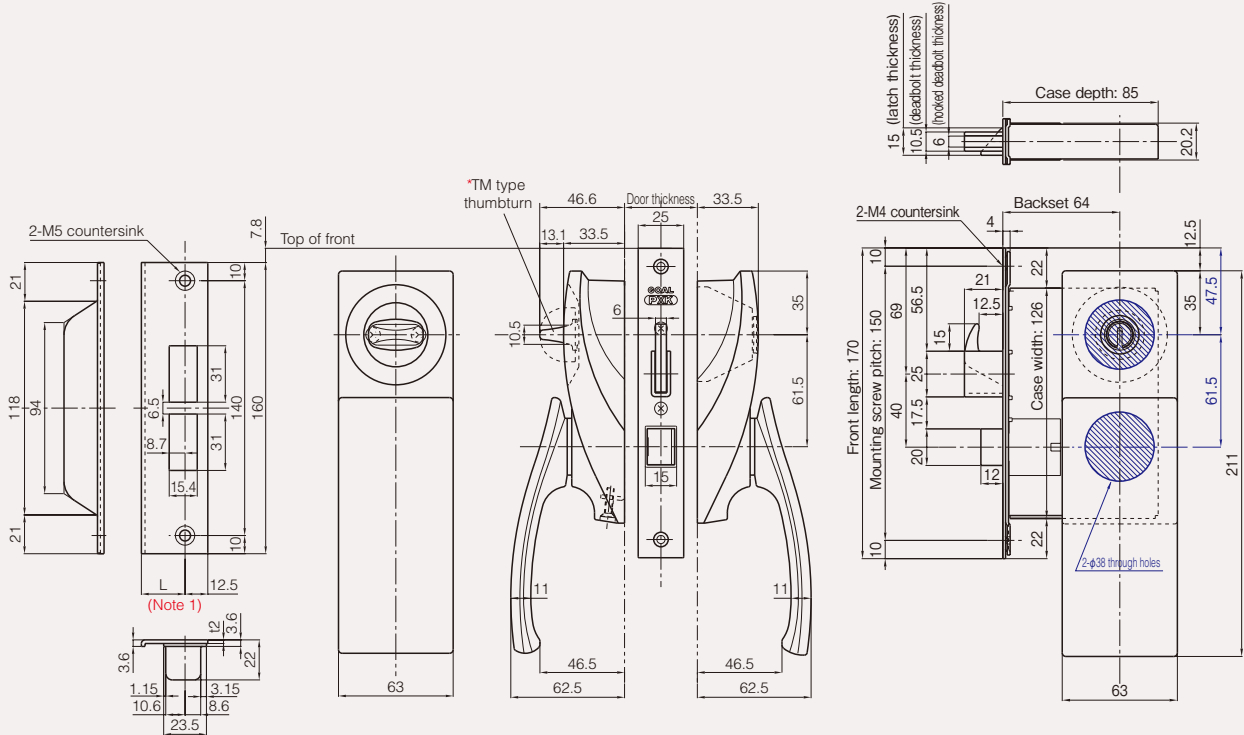
Dimensions/Notch (Unit: mm)

Door thickness: ## mm or more~less than ## mm

● V-PVKU-5 GOR TM (R) (* For out-swinging doors only)

<Illustration shows V18 cylinder, GOR handle, TM thumbturn, R type (right-hinged out-swinging door).>

* In addition to TM thumbturns, TME, TMB, and TMK security thumbturns are also available.



(Note 1)

Strike plate lip (L) dimension

For single leaf door ⚠		
Door thickness (minimum~less than) mm	Classification	L dimension (mm)
31~34	20L	20
34~40	22L	22
40~43	24L	24

* Indicate the door thickness when ordering.

⚠ Precautions when selecting a strike plate

The strike plate shown in the table at left is set as standard according to the door thickness, however in the case of a single leaf door and depending on the conditions of the door and frame, the strike plate may protrude by a large amount. Check the conditions of the door and frame, and select a strike plate with the optimal lip (L) dimension from the table so that the amount of strike plate protrusion is not too large.

Information

Precautions
Table of contents /
Product list
Basic information

Cylinders
Keying
systems

Locks

Push-pull
locks

Lever
handle
locks

Mortise
locks

Integral
locks
Cylindrical
locks

Rim dead
locks

Dead locks
Cremon
locks
Glass door
locks

Emergency
locks
Cup handle
locks

Sliding
door locks

Electric locks
Security systems

Ten-key
pads

Key switches
Interlock /
emergency
door
systems

Hotel card
locks

Electric
locks

Electrical
conductors,
Control
boxes

Dimensions

Backset	Door thickness (Contact GOAL for more information.)	Gap (door and jamb)
64 mm	28~35 / 35~42 / 42~49 mm	8 mm or less

Information

Precautions
Table of contents /
Product list
Basic information

Cylinders
Keying
systems

Locks

Push-pull
locks

Lever
handle
locks

Mortise
locks

Integral
locks
Cylindrical
locks

Rim dead
locks

Dead locks
Cremon
locks
Glass door
locks

Emergency
locks
Cup handle
locks

Sliding
door locks

Electric locks
Security systems

Ten-key
pads

Key switches
Interlock /
emergency
door
systems

Hotel card
locks

Electric
locks

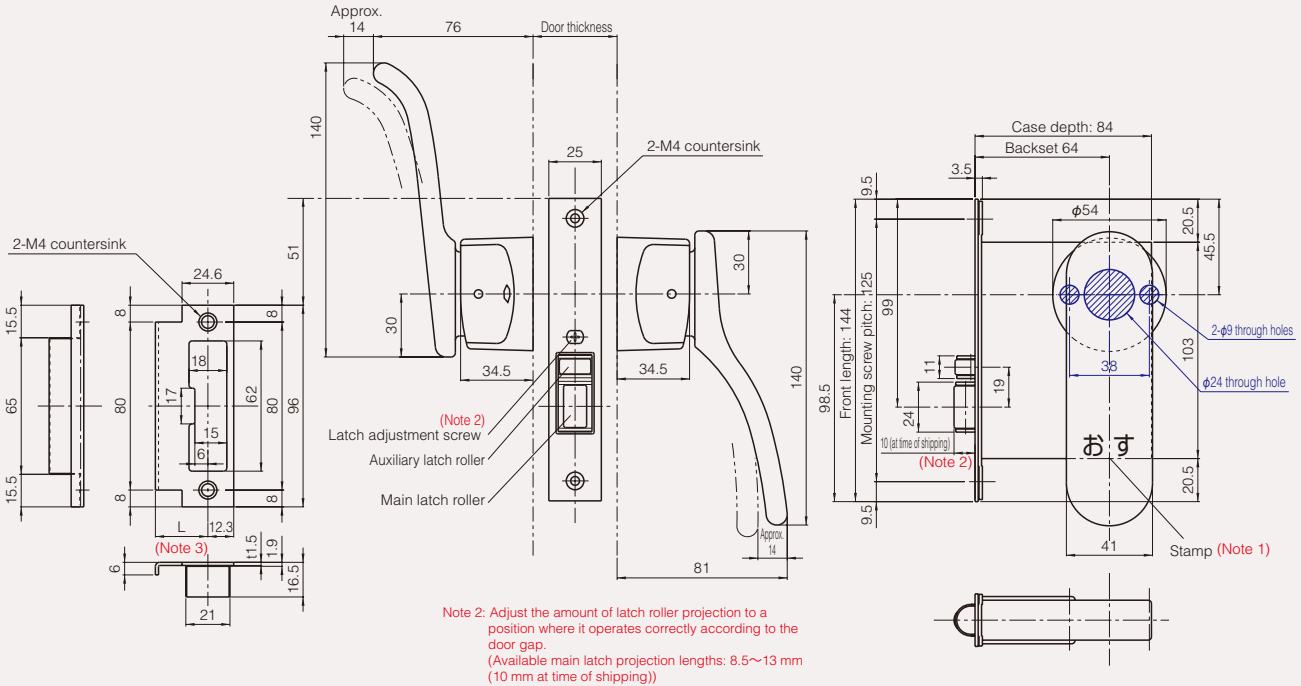
Electrical
conductors,
Control
boxes

Dimensions

Dimensions/Notch (Unit: mm)

Door thickness: ## mm or more~less than ## mm

● PYS No. 1 type (backset 64 mm) **Note 1: The PYS No. 1 type has a stamp on the handle. The PYS type has no stamp.**



(Note 3)

Strike plate lip (L) dimension

For single leaf door			For double leaf door		
Door thickness (minimum~less than) mm	Classification	L dimension (mm)	Door thickness (minimum~less than) mm	Classification	L dimension (mm)
28~33	20L	20	29~33	16L (double)	16
33~40	25L	25	33~37	18L (double)	18
40~47	30L	30	37~42	20L (double)	20
			43~47	23L (double)	23

* Indicate the door thickness when ordering.

⚠ Precautions when selecting a strike plate

The strike plate shown in the table at left is set as standard according to the door thickness, however in the case of a single leaf door and depending on the conditions of the door and frame, the strike plate may protrude by a large amount.

Check the conditions of the door and frame, and select a strike plate with the optimal lip (L) dimension from the table so that the amount of strike plate protrusion is not too large.