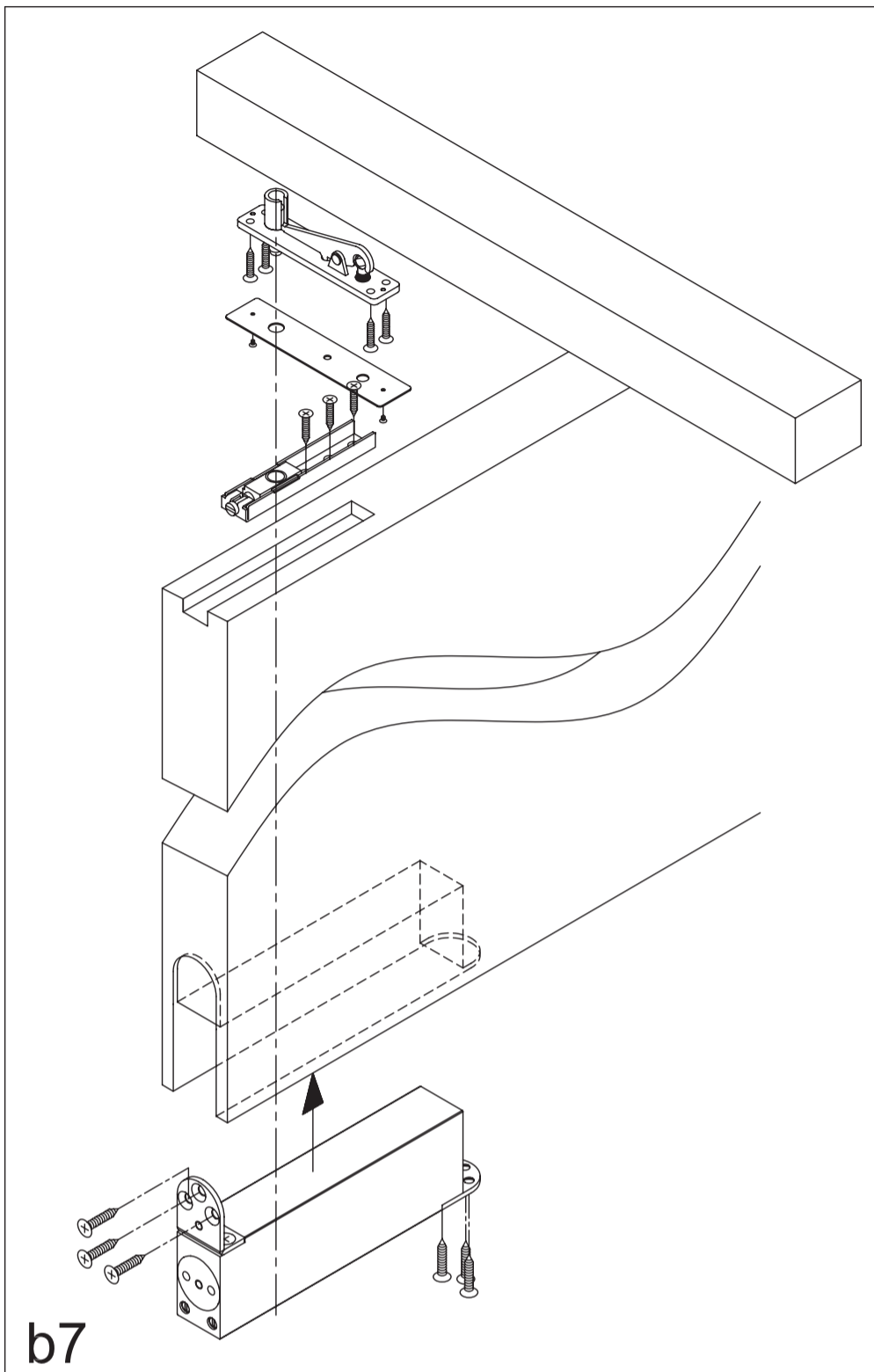
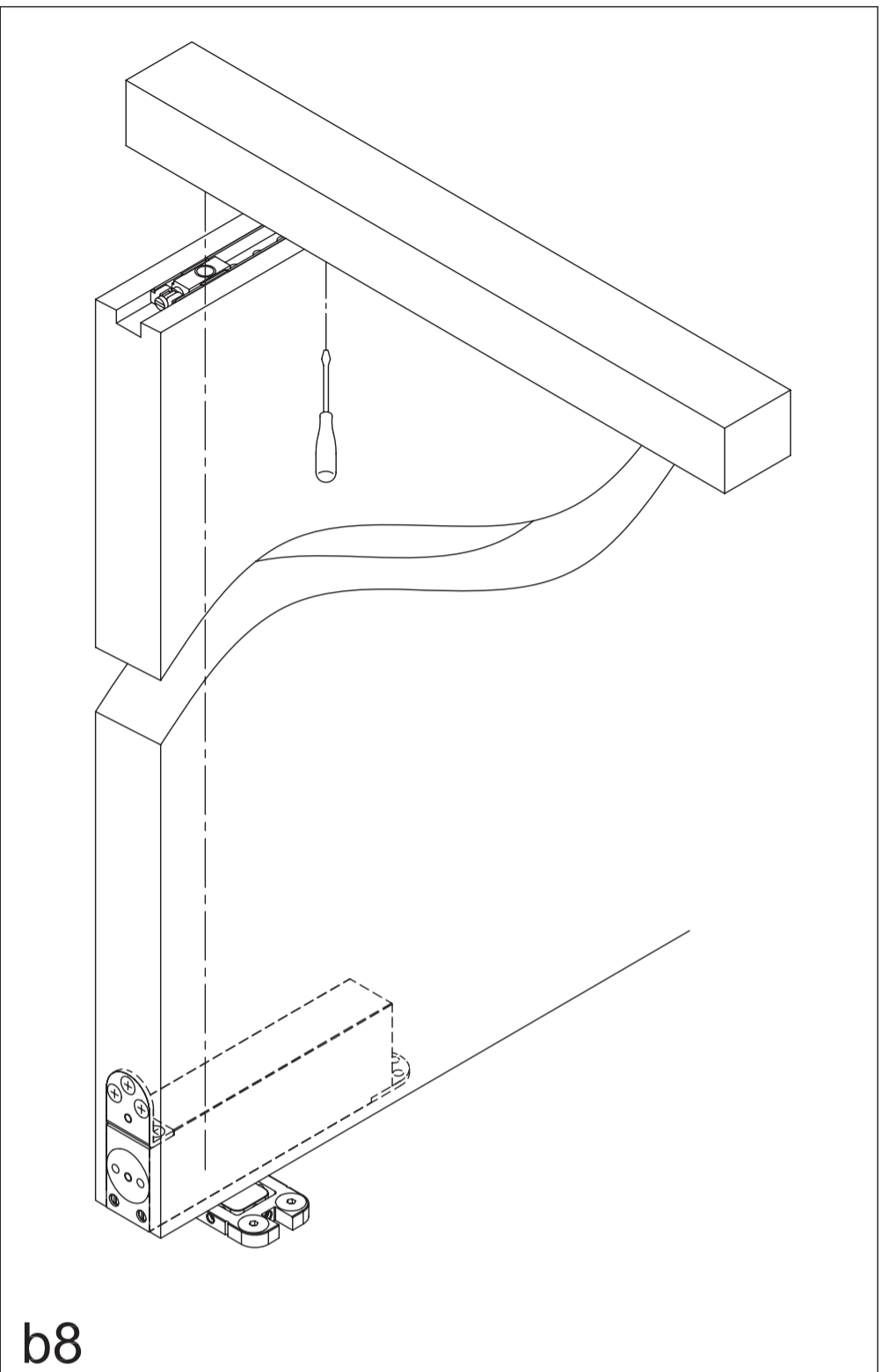


# INSTALLATION INSTRUCTIONS NHN PIVOT CLOSER MODEL NO. PDC105W/PDC105WS



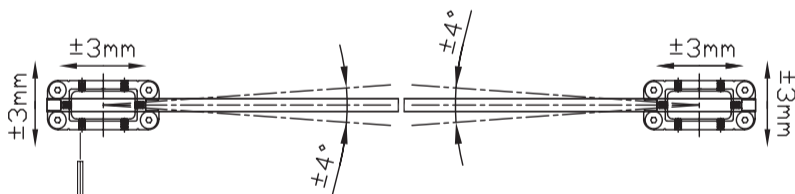
**b7**



**b8**

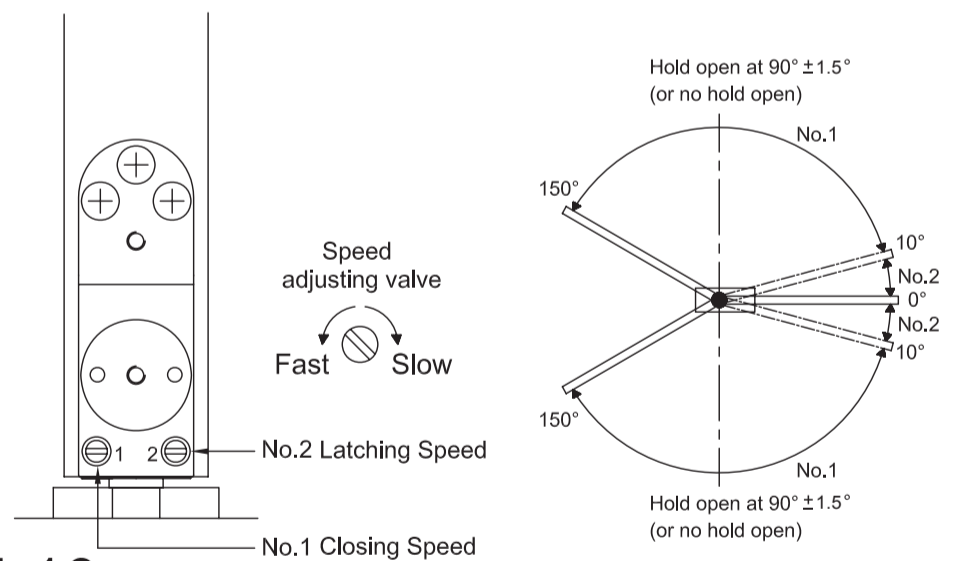
## DOOR ADJUSTMENT

Adjust the alignment, only if needed.

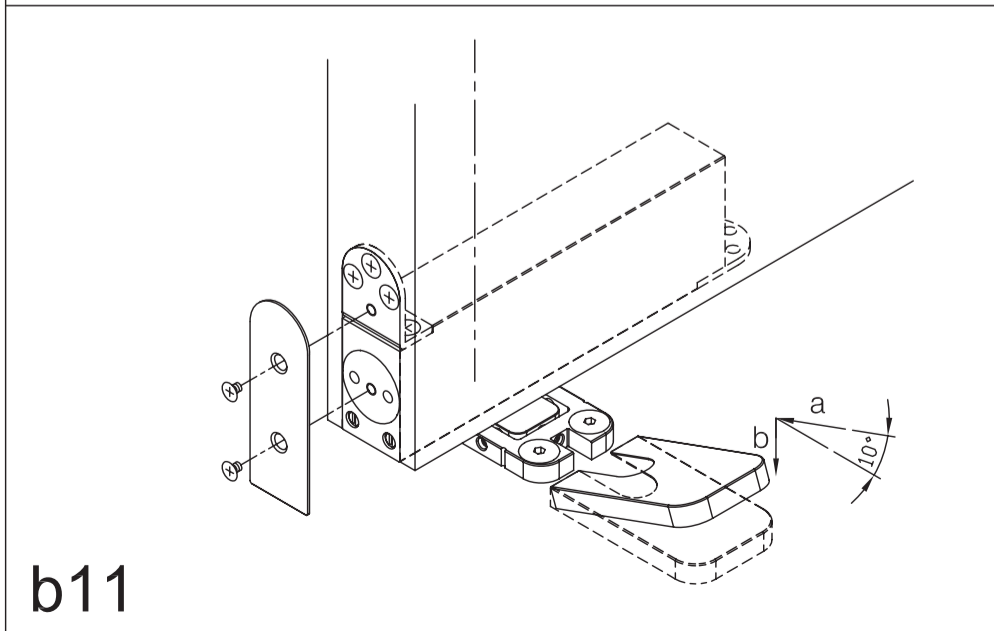


**SECURE THE ADAPTER PLATE.**  
Tighten all 6 grub screws with the allen key firmly when the adapter plate is in its final and correct position.

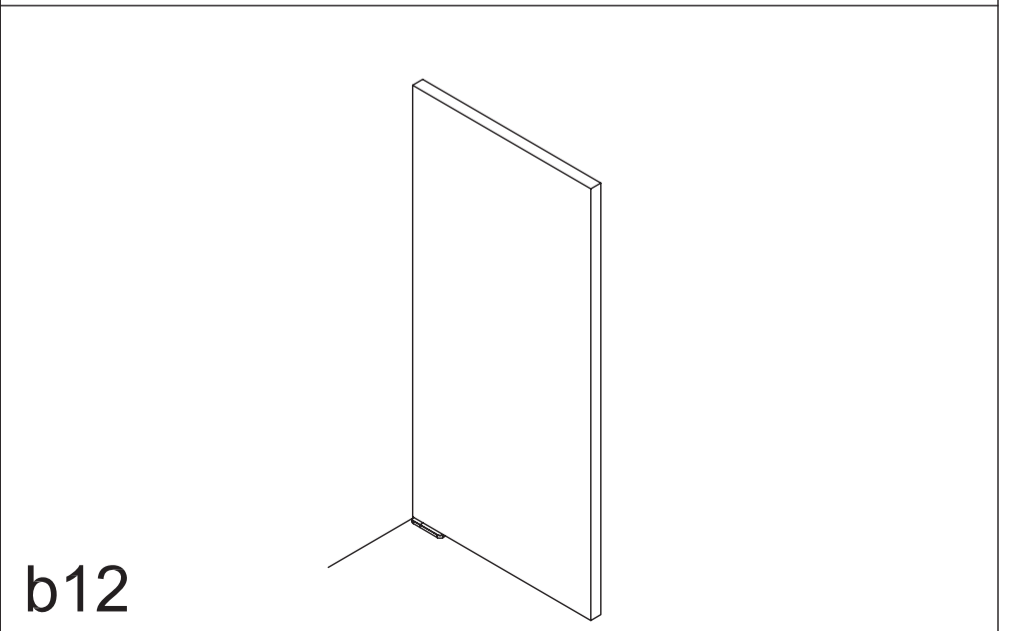
**b9**



**b10**



**b11**



**b12**