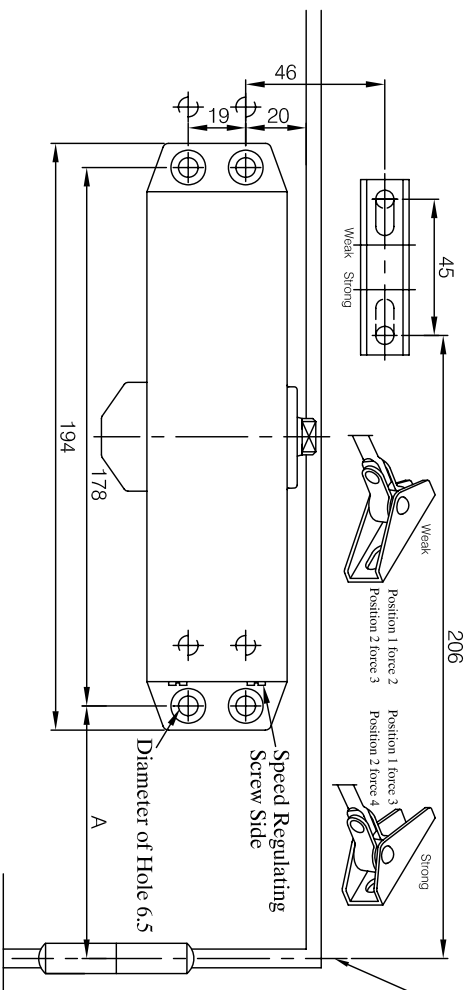


Unit : mm



Turning Center of The Hinge

A	Force
Position1	2/3
Position2	3/4

