

NH[®] 510 SERIES

OTHER PRODUCTS INFORMATION

PDC100



The NHN PDC-100W pivot closers are suitable for timber, aluminium and steel doors.

Incorporating the latest cam type technology, the NHN PDC-100W pivot closers offer easy opening with increased efficiency on the closing torque.

The closing speed is easily adjusted via two independent adjustment valves.

Available with or without hold open at 90°.

Narrow style with high performance.

Easy installation; costs and time saving as no preparation on the floor needed.

5 year Guarantee against faulty workmanship.

CONCEALED DOOR CLOSER



Features

1. With the door closed, the main body and lever are concealed to streamline the external appearance....available for standard and reverse-installation closers.
2. The super-thin main body can be installed even on thin doors....aluminum doors, standard steel doors, wooden doors, etc.
3. The refined design, providing smooth opening and closing, is ideal for reception rooms, hotel rooms, libraries, etc....closing speed and the hold-open angle can be easily adjusted.
4. Functional, durable, and attractive....a needle bearing smoothly operates the stylish closer.



The NHN door closer offers a comprehensive range of hydraulic door closer to suit applications. We maintain our long standing worldwide reputation for high quality and reliability. No.510 series door closer is inexpensive model to suit the most standard doors. No.510 series is backed up with a 5 year "No Quibble" guarantee

FEATURES

- Available in variable power EN2-4 position
- Easy installation and adjustment.
- Comprehensive range of accessories.
- Non-handed

SELECTION CHART

Power size (EN)	Max. door width (mm)	Max. door weight (kg)	510 SERIES		
			REGULAR	HOLD OPEN	SLIDE ARM
2	850	40	510	510S	510-GL
3	950	60			—
4	1100	80			—



6TH FLOOR, MARUTAKE HONMACHI BLDG.
HONMACHI, 1-6-18, CHUO-KU, OSAKA 541-0053 JAPAN
TEL: +81-6-6265-1131
E-MAIL: info@kenwa.co.jp
WEB: kenwa.co.jp

E.&O.E.
All sizes, photo's and drawings are subject to change without prior notice.
Copyright © 2010 KENWA CO., LTD. OSAKA JAPAN All Rights Reserved.

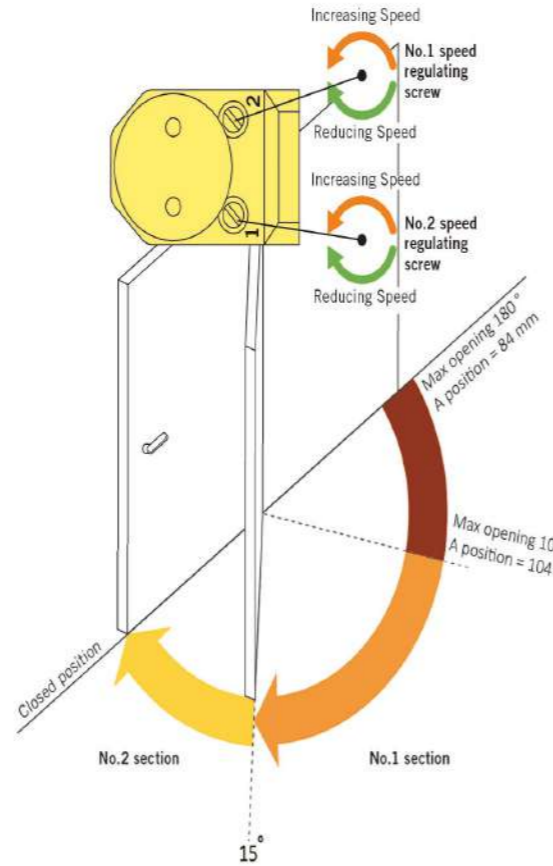
DISTRIBUTED BY

ADJUSTMENT

Force adjustment

Max door opening Degrees	Power size (EN)	Door width (mm)	Door weight (kg)	A	Shoe
180	2	850	40	84	
180	3	950	60	84	
105				104	
105	4	1100	80	104	

Closing speed adjustment



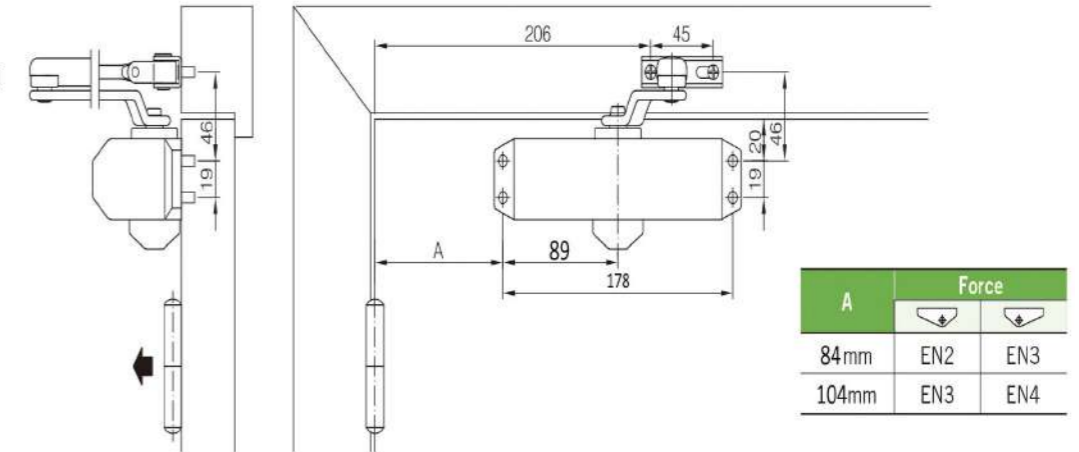
ACCESSORIES

CONVERSION BRACKET (A)	CONVERSION BRACKET (B)	CONVERSION BRACKET (C)	FUSIBLE LINK
HOLD OPEN ARM	SLIDE ARM	ARM EXTENDED LINK	COVER

INSTALLATION

Standard installation

This illustration shows a right handed configuration (DIN L).



Top jamb installation

This illustration shows a right handed configuration (DIN L).

