

PANIC BAR

-TK-F5000/TK-F5600 series

-TK-UL500/TK-UL560 series



TK-F5000 series

*Flat Push. Fire Rated.
For Single Door. UL.*

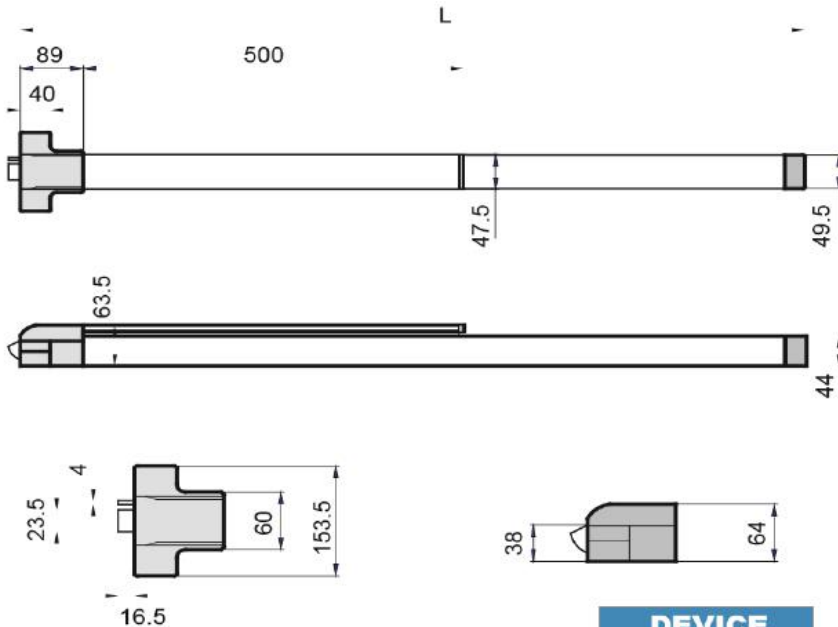
TK-F5000S



TK-F5000P



UNITS : mm



DEVICE

33" and 42"

FEATURES

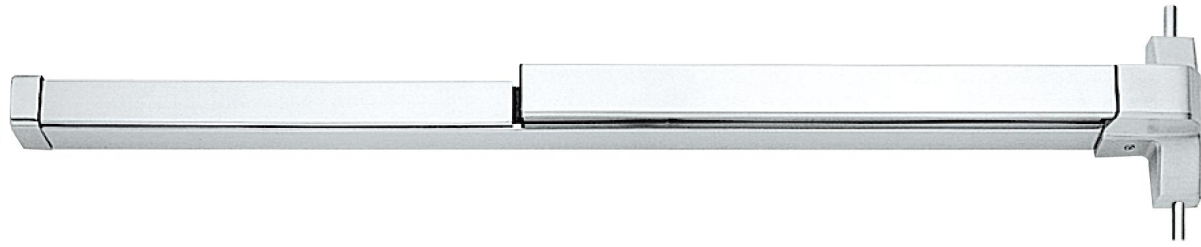
- ① Grade 1 Fire Rated Painted Rim Type
- ② 3 Hours Fire Rated
- ③ Cylinders : Goal cylinders
- ④ UL listed

	TK-F5000S	TK-F5000P
Type	Stainless Steel Rim	Painted Rim
Head Cover	Stainless Steel	Zinc alloy
Chassis	Stainless Steel	Stainless Painted
End Cap	Stainless Steel	Stainless Painted

TK-F5600 series

*Flat Push. UL.
For Double Door.* *Fire Rated.*

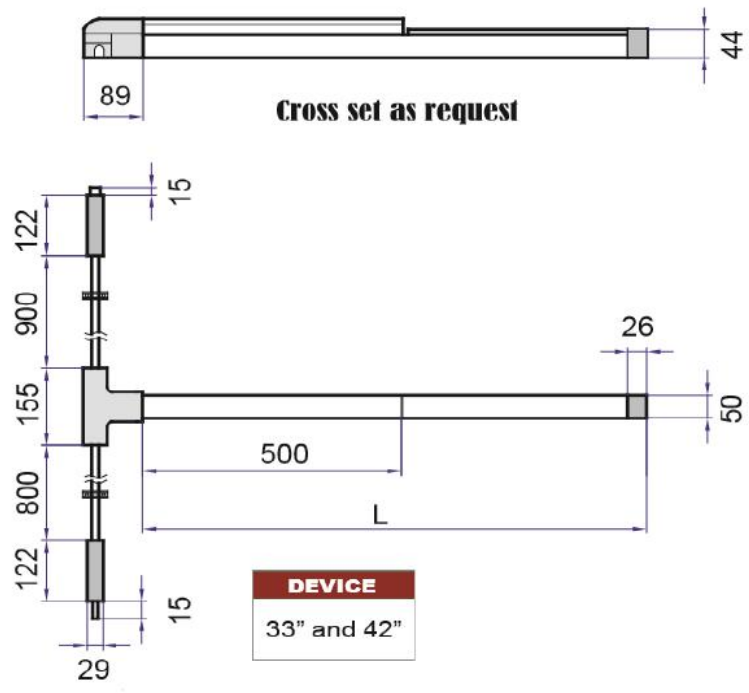
TK-F5600S



TK-F5600P



UNITS : mm



Cross set as request

FEATURES

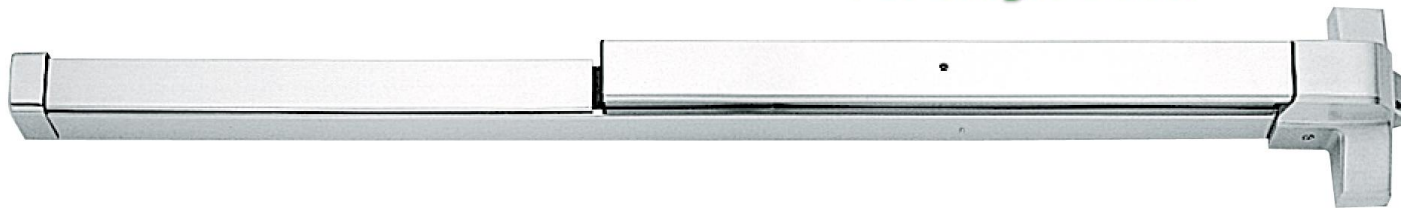
- ① Grade 1 Fire Rated Painted Rim Type
- ② 3 Hours Fire Rated
- ③ Cylinders : Goal cylinders
- ④ UL listed

	TK-F5600S	TK-F5600P
Type	Stainless Steel Rim, with Vertical Rod	Painted Rim, with Vertical Rod
Head Cover	Stainless Steel	Zinc alloy
Chassis	Stainless Steel	Stainless Painted
End Cap	Stainless Steel	Stainless Painted

TK-UL500 series

*Flat Push. UL.
For Single Door.*

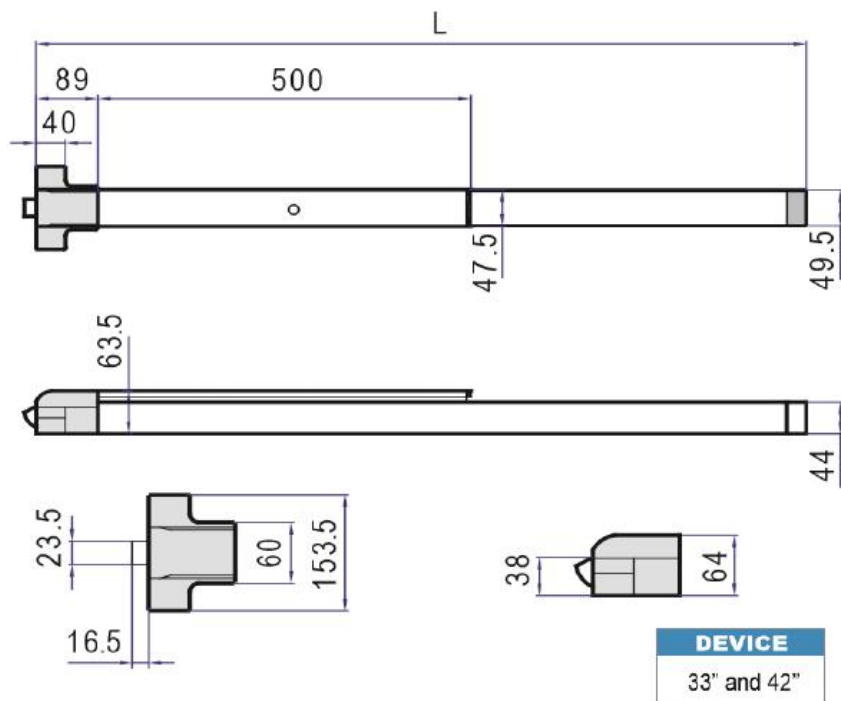
TK-UL500S



TK-UL500P



UNITS : mm



FEATURES

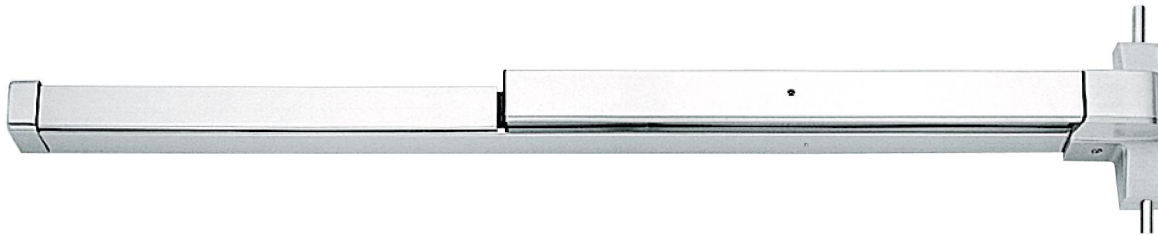
- ① Cylinders : Goal cylinders
- ② UL listed

	TK-UL500S	TK-UL500P
Type	Stainless Steel Rim	Painted Rim
Head Cover	Stainless Steel	Zinc alloy
Chassis	Stainless Steel	Stainless Painted
End Cap	Stainless Steel	Stainless Painted

TK-UL560 series

*Flat Push. UL.
For Double Door.*

TK-UL560S



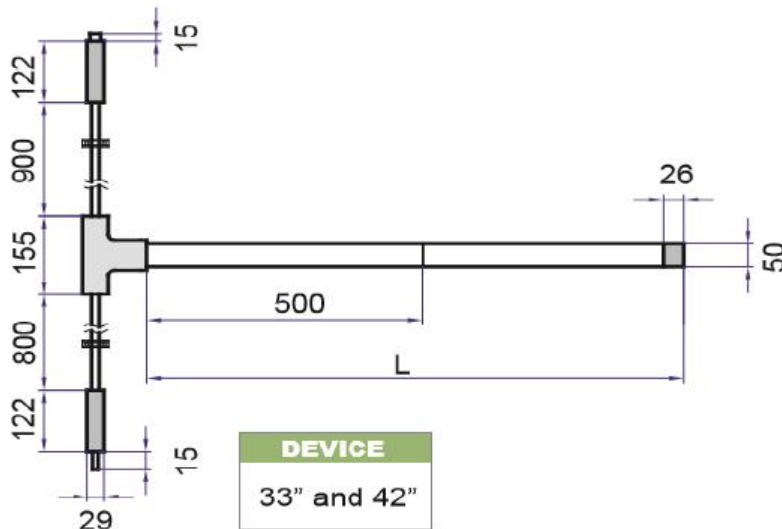
TK-UL560P



UNITS : mm



Cross set as request



DEVICE

33" and 42"

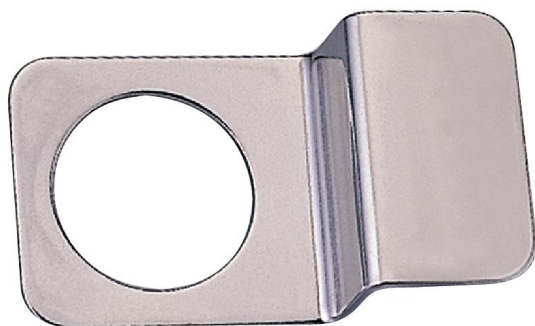
FEATURES

- ① Cylinders : Goal cylinders
- ② UL listed

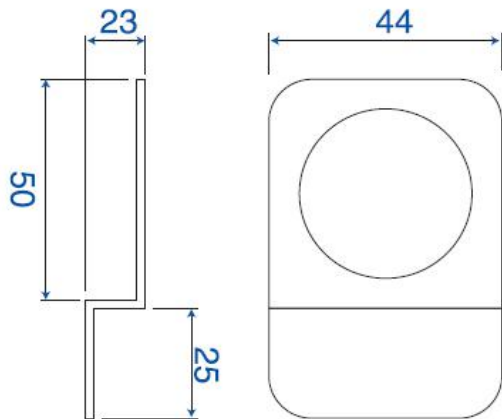
	TK-UL560S	TK-UL560P
Type	Stainless Steel Rim, with Vertical Rod	Painted Rim, with Vertical Rod
Head Cover	Stainless Steel	Zinc alloy
Chassis	Stainless Steel	Stainless Painted
End Cap	Stainless Steel	Stainless Painted

Optional

004 N Type Pull



UNITS : mm



MATERIAL

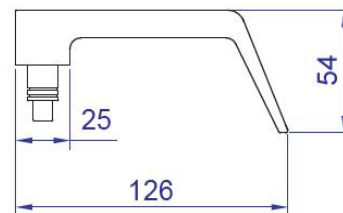
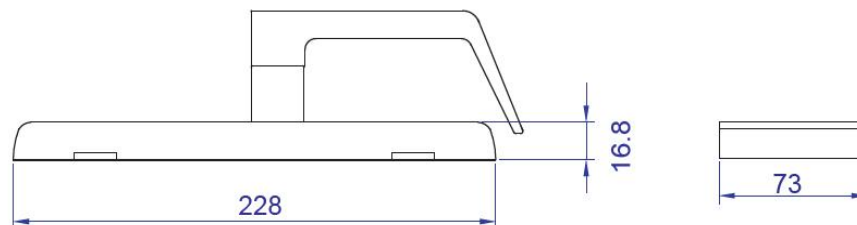
Stainless Steel

009 LEVER HANDLE



MATERIAL

Panel ----- Stainless
Handle ----- Stainless



Cylinder order by separate