

OTHER PRODUCTS INFORMATION

PDC100W



The NHN PDC-100W pivot closers are suitable for timber, aluminium and steel doors.

Incorporating the latest cam type technology, the NHN PDC-100W pivot closers offer easy opening with increased efficiency on the closing torque.

The closing speed is easily adjusted via two independent adjustment valves.

Available with or without hold open at 90°.

Narrow style with high performance.

Easy installation; costs and time saving as no preparation on the floor needed.

5 year Guarantee against faulty workmanship.

80V



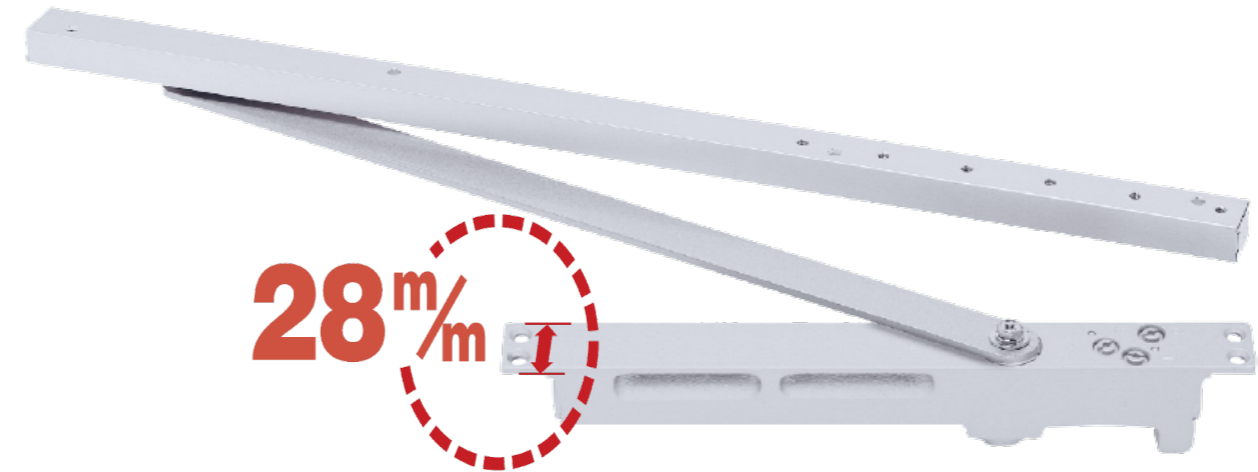
The New NHN 80V Series offers a comprehensive range of hydraulic power adjustable door closers to suit all applications.

83V for sizes 204, 85V for sizes 4-6 and heavy duty 87V for sizes 6 & 7.

Backcheck and delayed action function available.

Successfully awarded EN1154, EN1634-1 and CE Certifications

NH[®] 1600U SERIES



With the door closed, the body and lever are completely concealed into door and door frame to streamline the external appearance. Combining quality, efficiency and functionality. NHN 1600I provides smooth door closing motion utilizing a needle bearing, ideal for hotel rooms, reception, powder room, hallways, modern offices etc.

FEATURES

- With the door closed, the main body and lever are concealed to streamline the external appearance.
- Available for standard and reverse installation.
- The Super-slim main body can be installed even within thin aluminium door profiles, standard steel doors and wooden doors.
- NHN 1600 is a stylish closer which provides smooth closing using a needle bearing, ideal for reception rooms, hotel rooms, libraries etc.
- With closing speed and hold-open angle being easily adjusted.
- Silver, Dark Brown or Gold. Other finishes available on request.

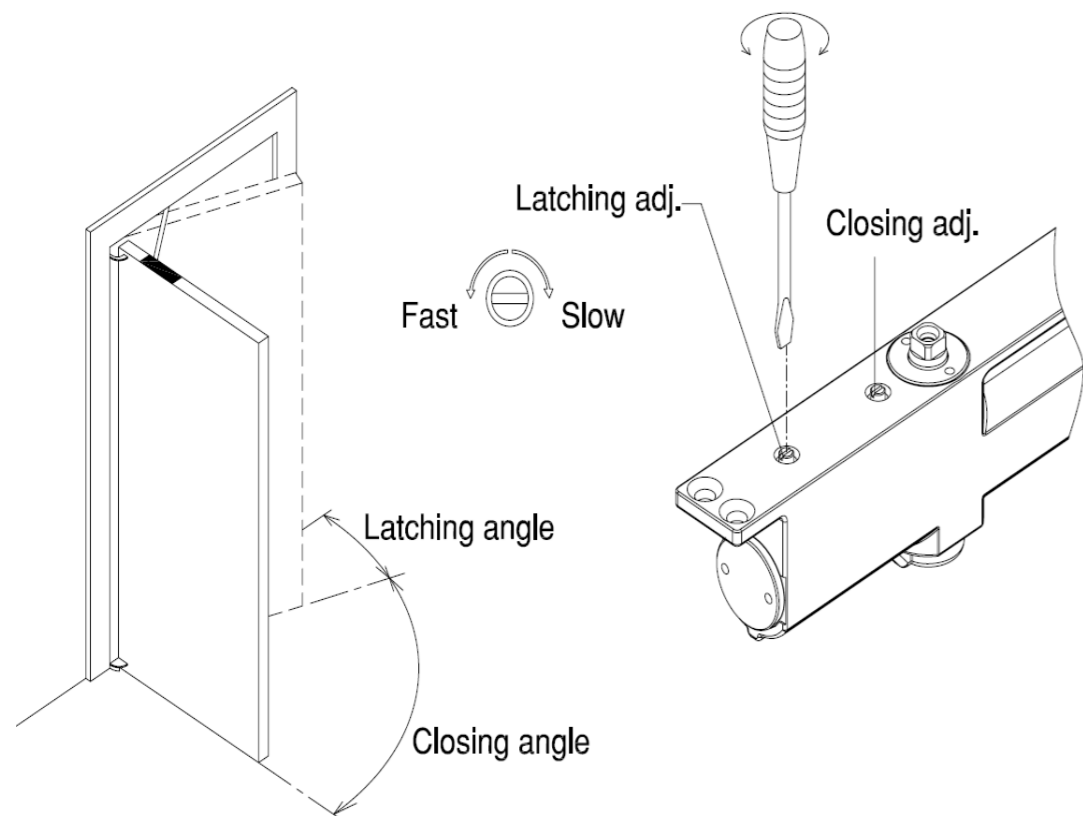
SELECTION CHART

Model	1600 SERIES	
	Dimension (mm)	Weight (kg)
1628U (with hold open)	900 X 2,100	25-46
1638U (with hold open)	950 X 2,100	40-65

DISTRIBUTED BY

ADJUSTMENT

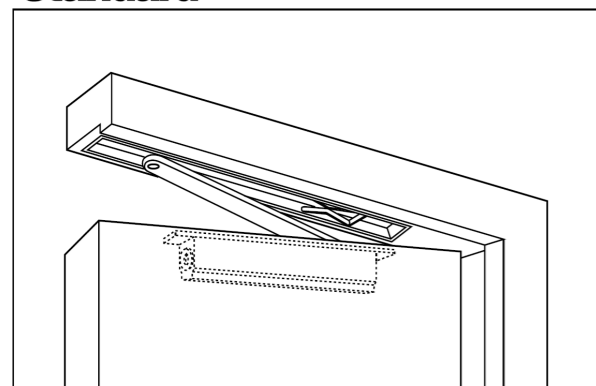
Easily adjustment of closing speed and latching speed by two valves.



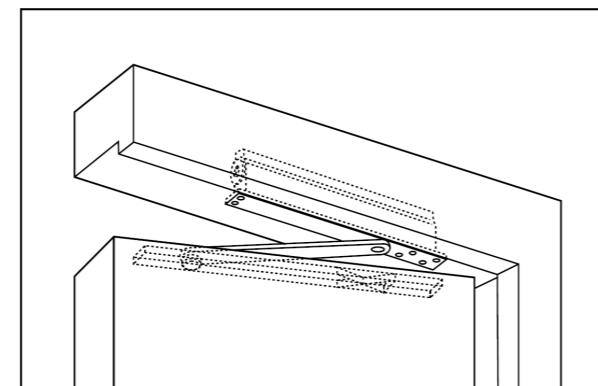
INSTALLATION

Standard installation and top jamb installation are available.

Standard

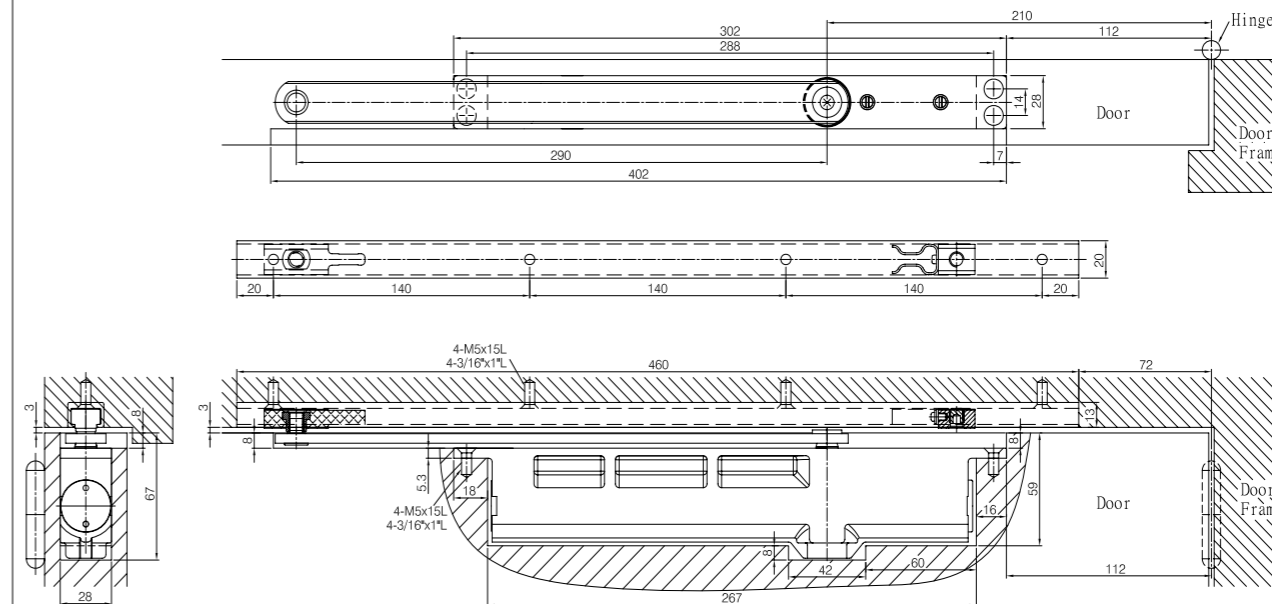


Reverse



INSTALLATION

Right hand opening



Left hand opening

