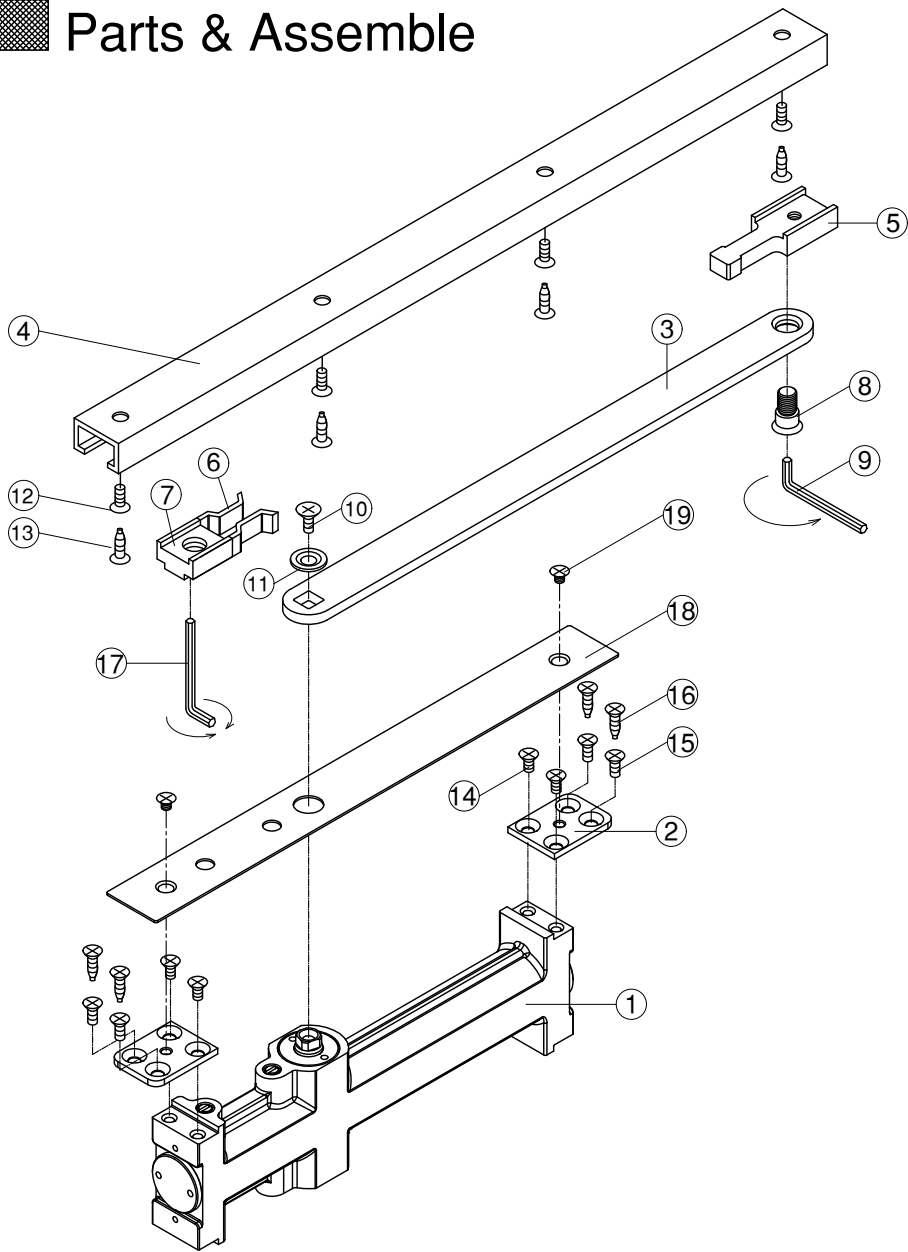
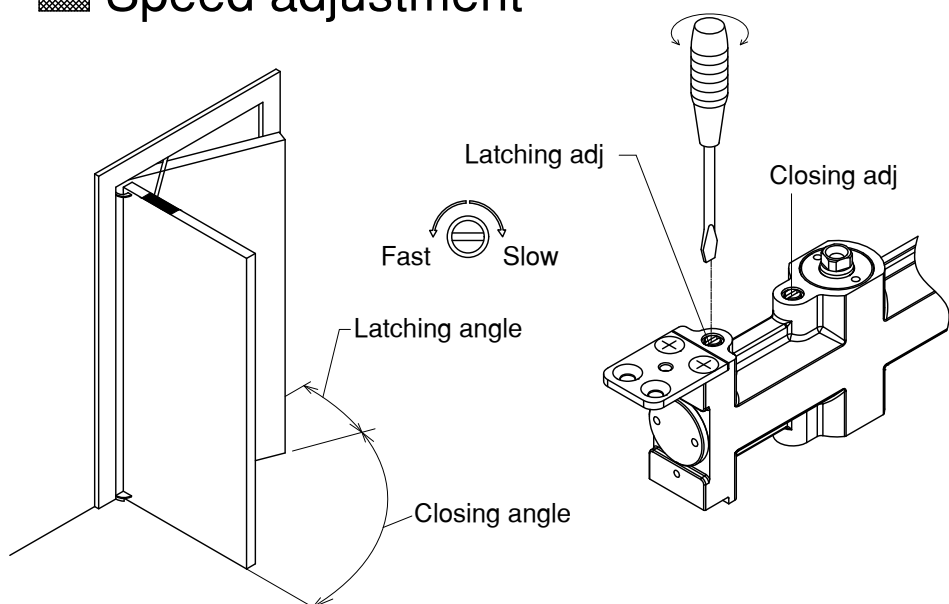


Parts & Assemble

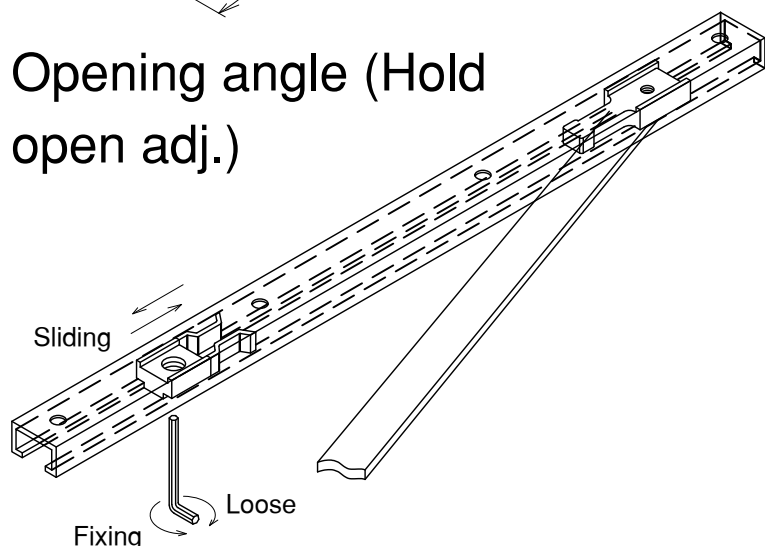


NO	Parts	QTY	NO	Parts	QTY
①	Body	1	⑪	Washer	1
②	Fixing plate	2	⑫	⊕Countersunk screw M5x15L	4
③	Main arm	1	⑬	⊕Wooder screw 3/16"x1"L	4
④	Track	1	⑭	⊕Countersunk screw M5x8L	4
⑤	Sliding part	1	⑮	⊕Countersunk screw M5x15L	4
⑥	Hold open Spring plate	1	⑯	⊕Wooder screw 3/16"x1"L	4
⑦	Hold open Fixing part	1	⑰	⊖Wrench 4mm	1
⑧	⊙Fixing screw M8	1	⑱	⊕Countersunk screw M5x4.1L	2
⑨	⊖Wrench 5mm	1			
⑩	⊕Countersunk screw M5x12L	1			

Speed adjustment



Opening angle (Hold open adj.)

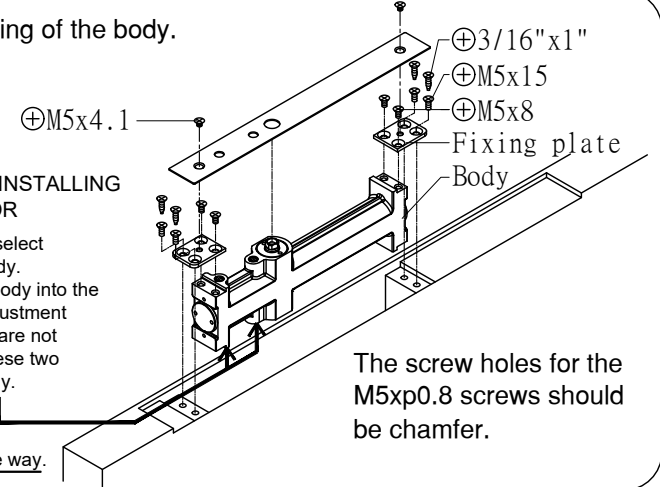
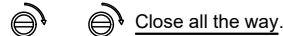


① Installation and fixing of the body.

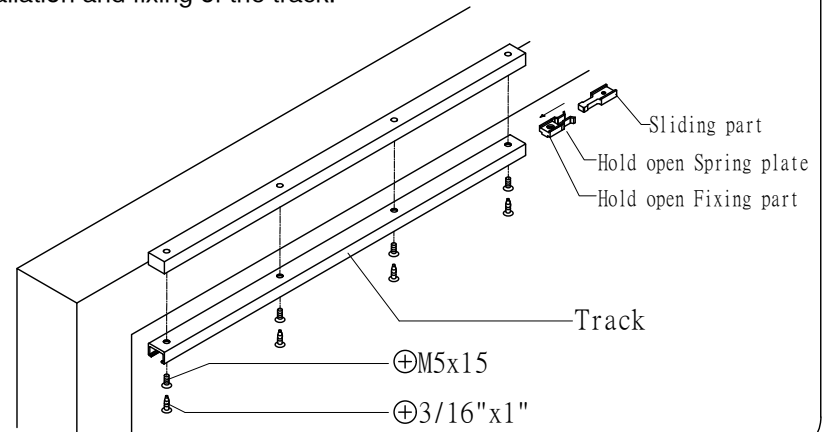
ACTION TO DO BEFORE INSTALLING CLOSERBODY INTO DOOR

1. Check handing of door and select correct top side of closer body.
2. Before installing the closer body into the door please screw in the adjustment valves at the bottom (which are not being used) to the ends. These two valves need to be closed fully.

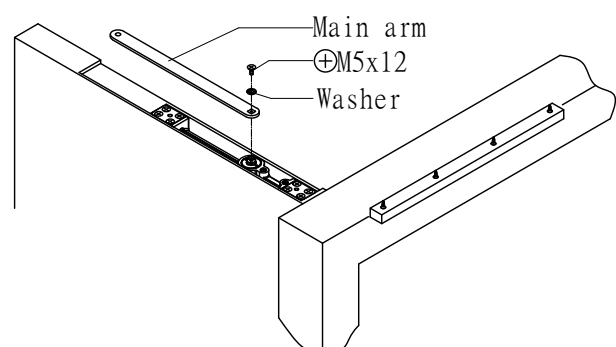
Valves at the bottom:



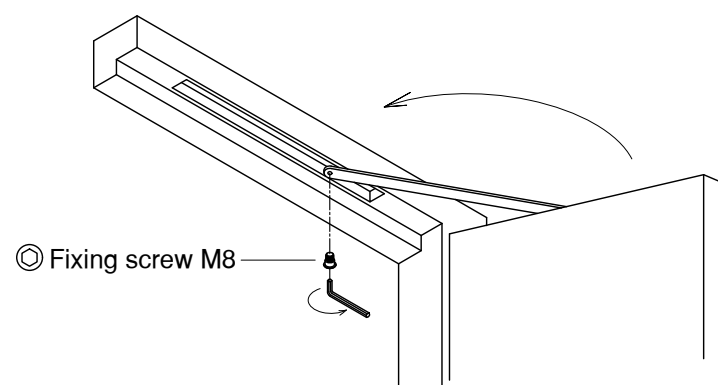
② Installation and fixing of the track.



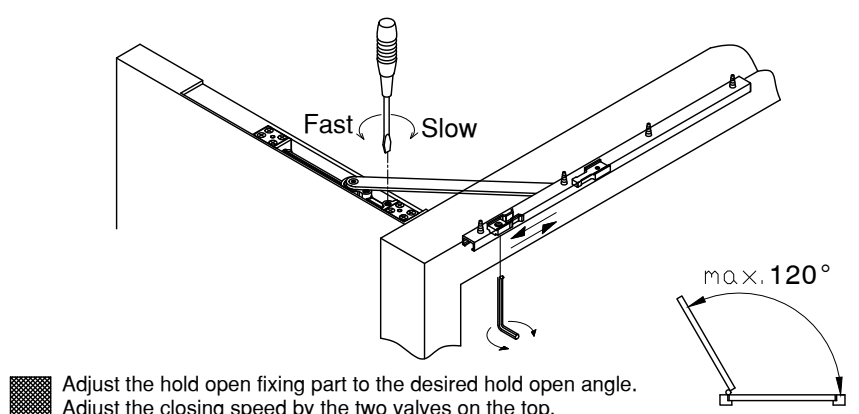
③ Attach the main arm to the axis of the body and tighten the screw firmly



④ Combining the main arm to the sliding part in the track and tighten the fixing screw.

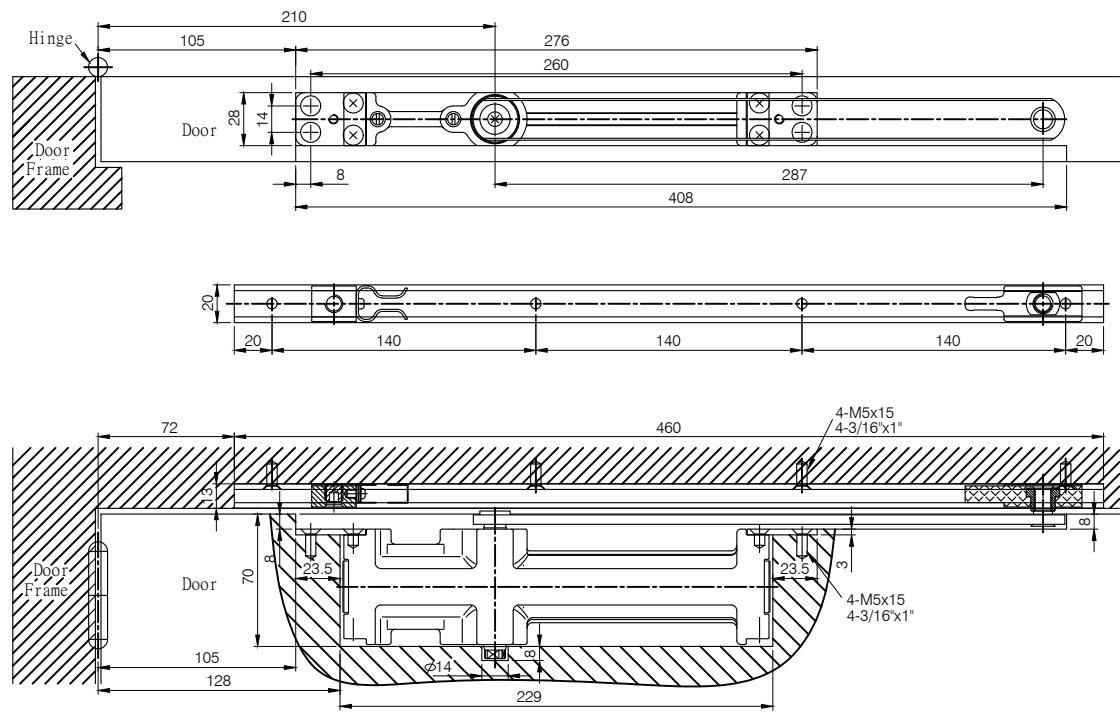


⑤ Opening angle and closing speed adjustment

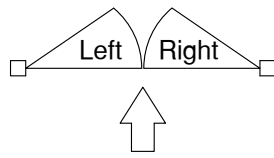
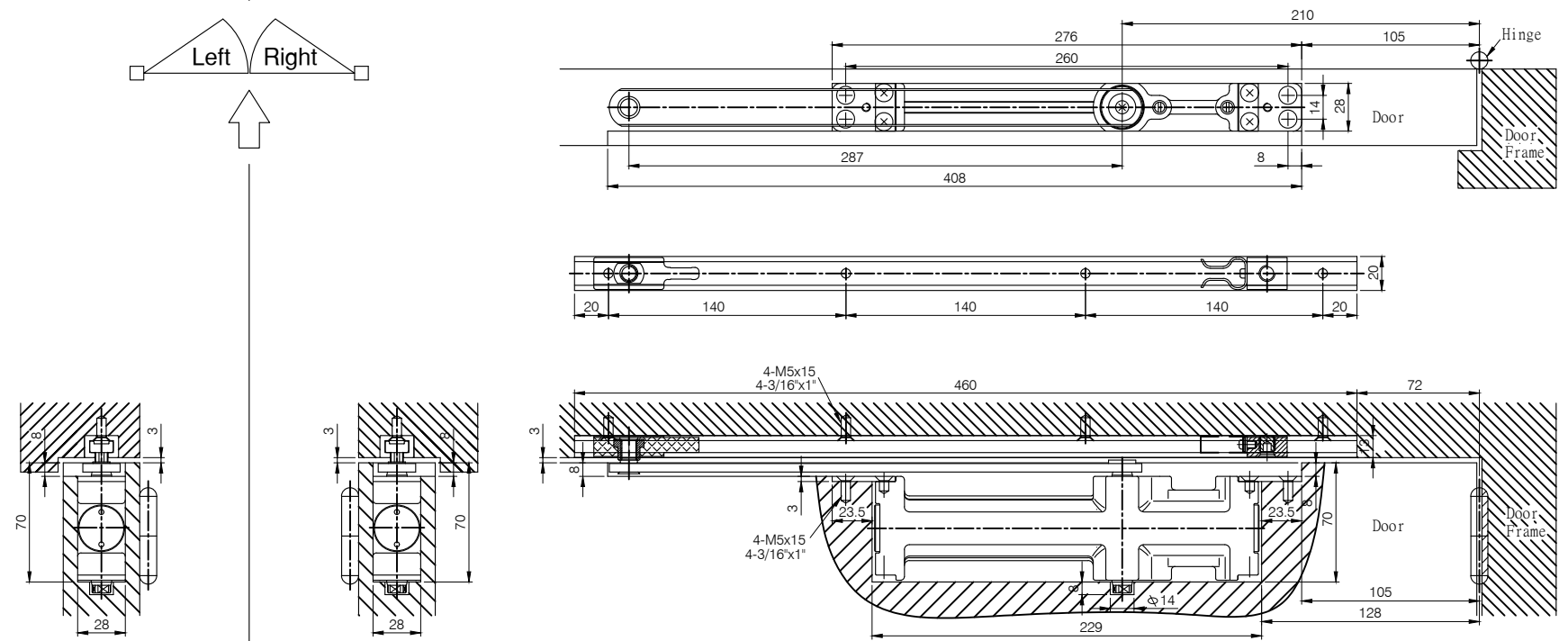


Concealed Door Closer

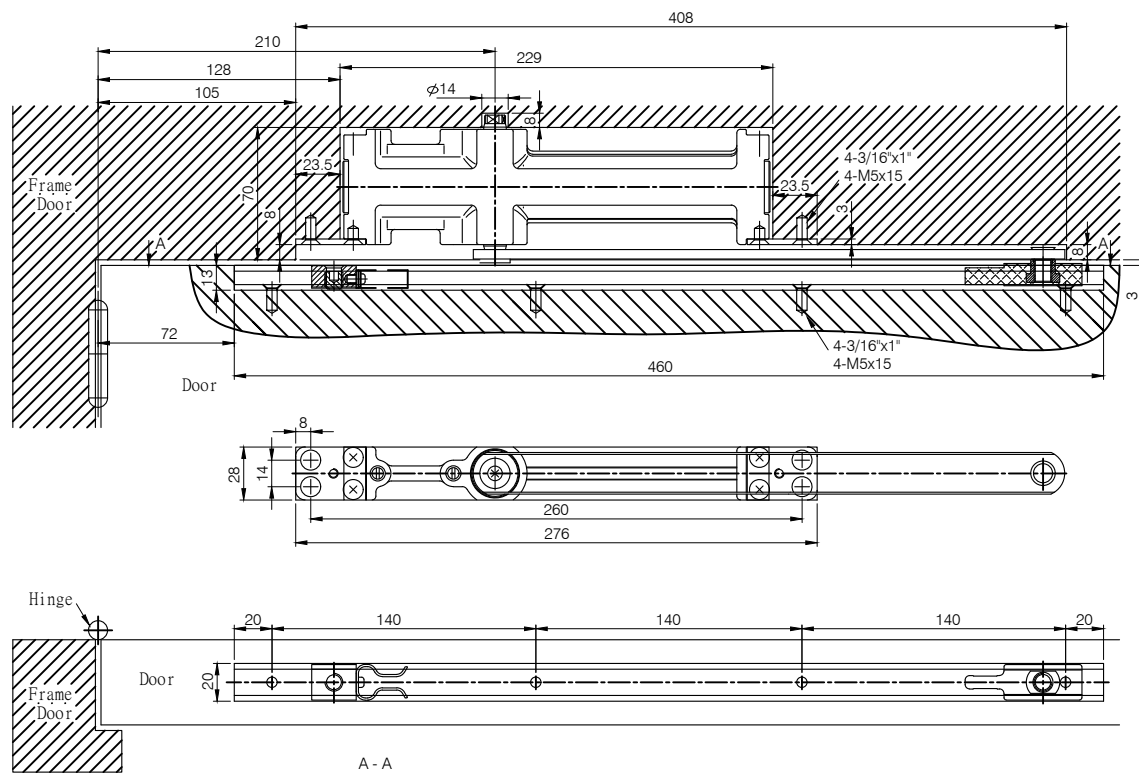
⊗ Left hand opening



⊗ Right hand opening



⊗ Left hand opening
(Top jamb installation)



⊗ Right hand opening
(Top jamb installation)

